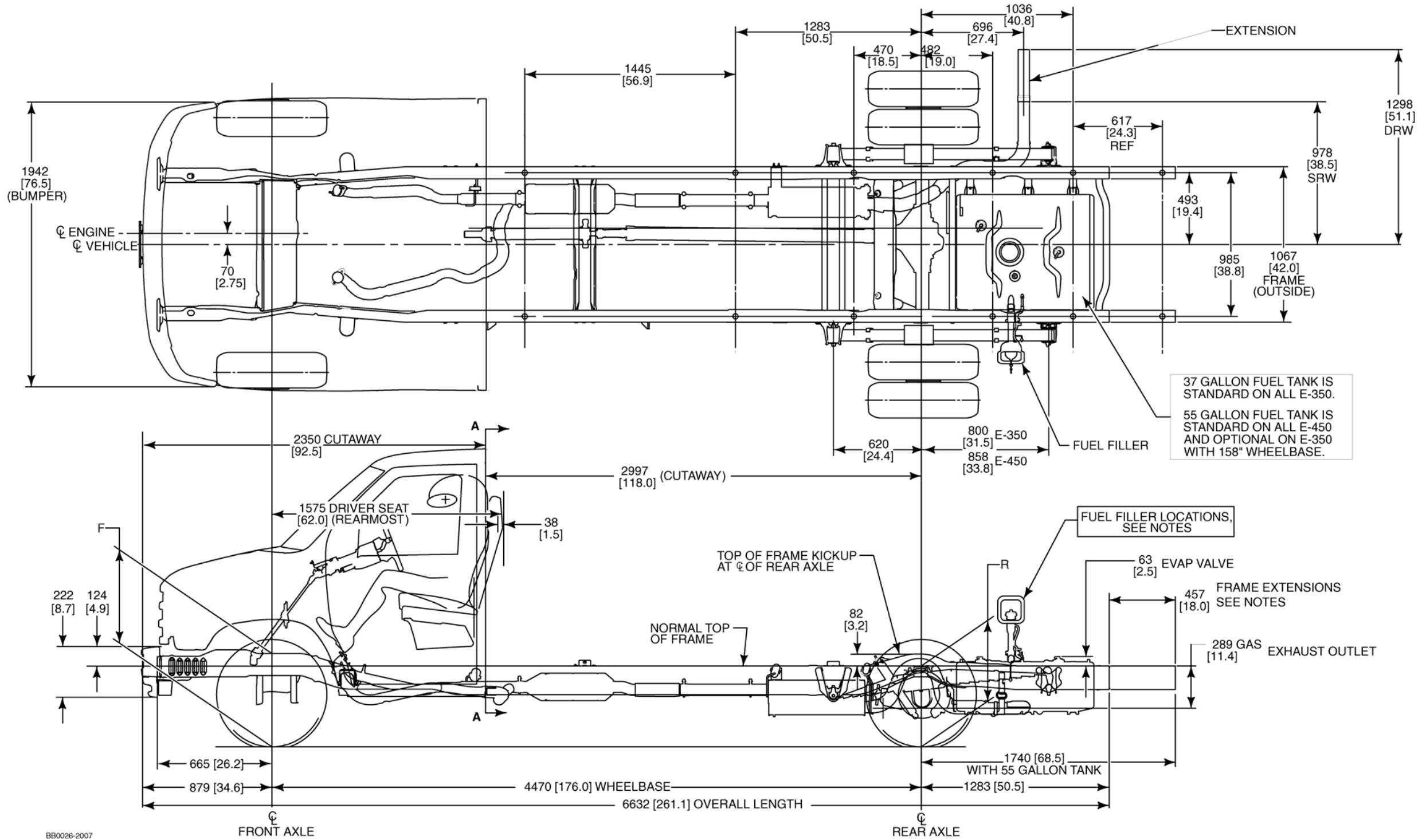


DIMENSIONAL DATA E-350/450 SUPER DUTY CUTAWAY 176" WHEELBASE (DRW)

2008
MODEL YEAR

Page 52

E-SERIES

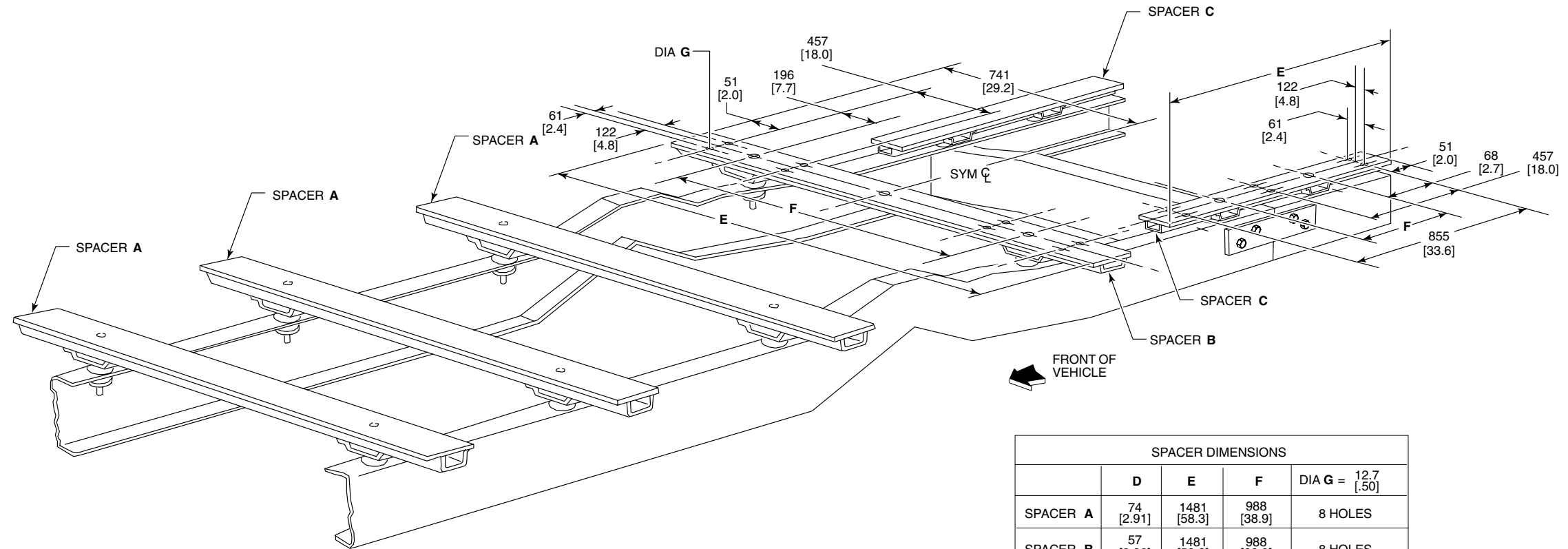


BB0026-2007

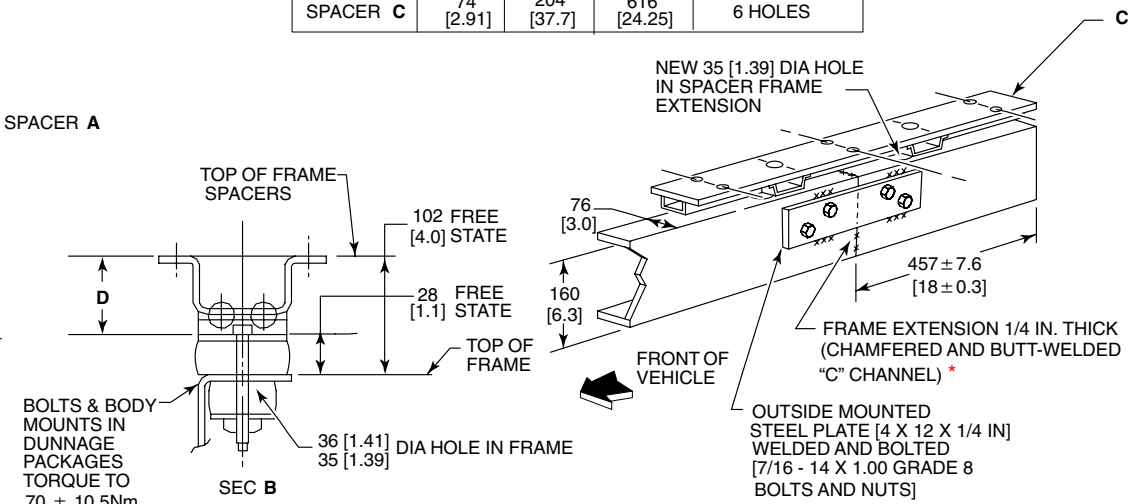
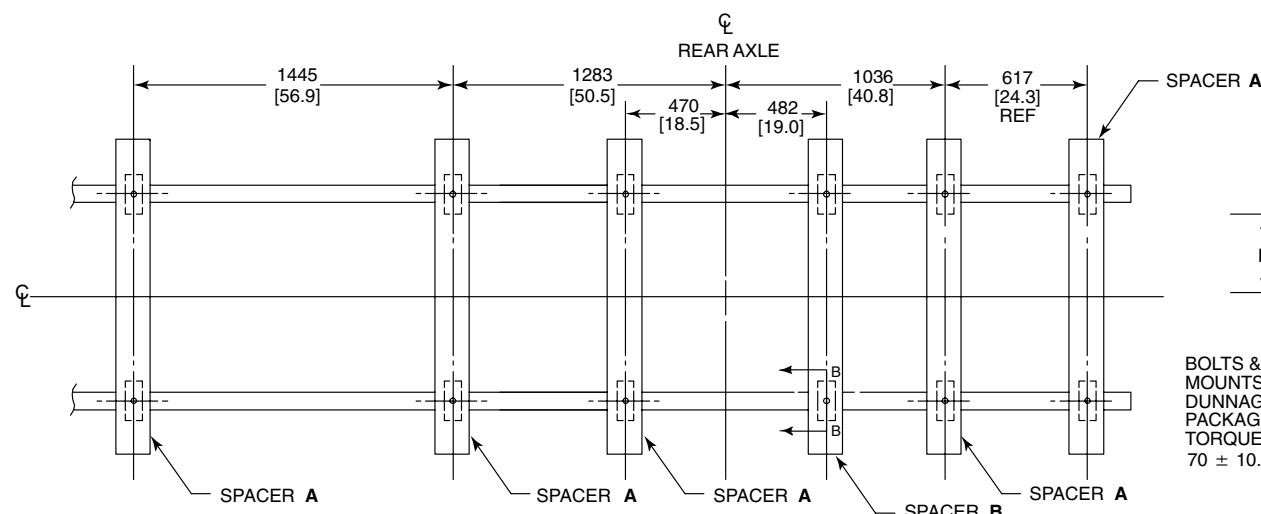
NOTES — [] DIMENSIONS ARE INCHES.
— FOR CA DIMENSION, SEE MODEL LINEUP.

DIMENSIONAL DATA E-350/450 SUPER DUTY CUTAWAY 176" WHEELBASE (DRW)

2008
MODEL YEAR



SPACER DIMENSIONS				
	D	E	F	DIA G = 12.7 [.50]
SPACER A	74 [2.91]	1481 [58.3]	988 [38.9]	8 HOLES
SPACER B	57 [2.26]	1481 [58.3]	988 [38.9]	8 HOLES
SPACER C	74 [2.91]	204 [37.7]	616 [24.25]	6 HOLES



BB0661

NOTES — [] DIMENSIONS ARE INCHES.
* FOR NGV VARIANT A "C" CHANNEL FRAME REINFORCEMENT IS REQUIRED ALONG WITH THE FRAME EXTENSION.