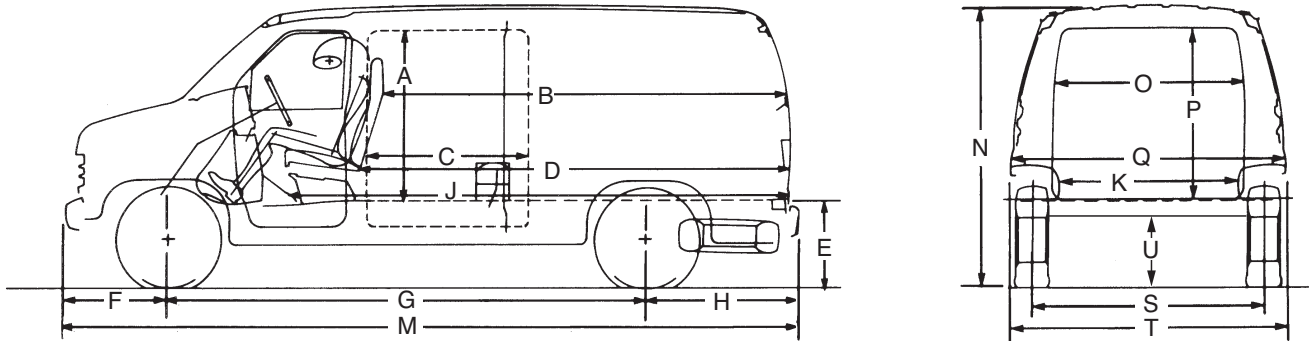


# 2014

## E-Series Van/Cutaway Body Dimensions



### BODY DIMENSIONS (in inches) — E-150 Series Regular/Extended Van

Model	Regular	Extended
<b>Wheelbase (in.)</b>	138	138
<b>Code</b>	<b>Description</b>	
A	Door Opening Height at Floor	48.2
B	Cargo Length Front (at Belt)	114.3
C	Side Cargo Door Opening Width — Hinged/Sliding	44.8/45.6
D	Cargo Length at Front (at Floor)	122.4
E	Load Height (Curb)	28.0
F	Front Overhang	34.9
G	Wheelbase	138.0
H	Rear Overhang	43.8
J	Engine Cover to Rear	138.7
K	Cargo Width — Wheelhouses	52.5
M	Overall Length (Curb)	216.7
N	Overall Height (Curb)	82.4
O	Rear Opening Width at Floor	53.9
P	Rear Opening Height	49.5
Q	Width at Floor (excluding wheelhouses)	73.6
S	Front Track (Curb)	69.4
S	Rear Track (Curb)	66.6
T	Vehicle Width (excluding mirrors)	79.4
U	Minimum Running Ground Clearance	7.4

NOTE: Front jacking point — located under the front radius arm rearward of the sloped section (use flat space provided).

NOTE: Rear jacking point — located under rear axle between U-bolts.

### CARGO VOLUME

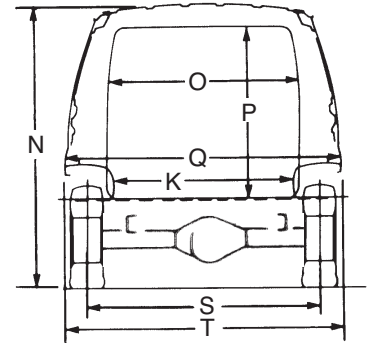
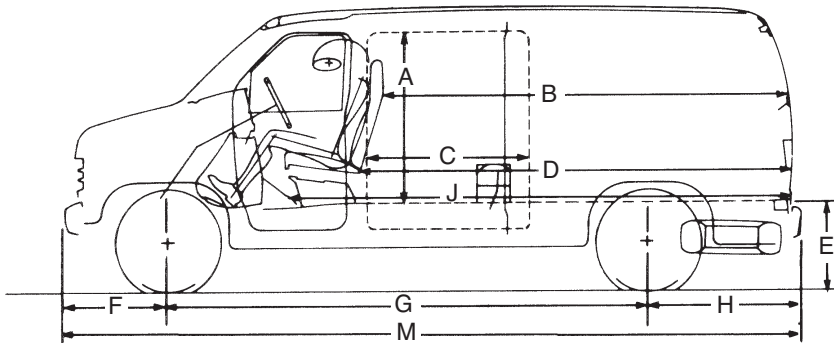
Series	Model	Wheelbase (in.)	Door	Volume (cu. ft.)
				w/Driver/Passenger Seat
All	Regular Length	138	Hinged/Sliding	237.8
	Extended Length	138	Hinged/Sliding	278.3
Crew Van	Regular Length	138	Hinged/Sliding	146.4
	Extended Length	138	Hinged/Sliding	186.6

NOTE: Please see the Major Product Summary pages and/or the Dealer Ordering Guide for availability.

# E-Series Van/Cutaway

## Body Dimensions cont'd

# 2014



### BODY DIMENSIONS (in inches) — E-250/E-350 Regular & Extended Van

Series	Model	E-250		E-350	
		Regular	Extended	Regular	Extended
<b>Code</b>	<b>Description</b>				
A	Door Opening Height at Floor	48.2	48.1	48.2	48.1
B	Cargo Length Front (at Belt)	114.3	134.3	114.3	134.3
C	Side Cargo Door Opening Width — Hinged/Sliding	44.8/45.6	44.8/45.6	44.8/45.6	44.8/45.6
D	Cargo Length Front (at Floor)	122.4	142.4	122.4	142.4
E	Load Height (Curb)	31.1	31.5	29.5	29.7
F	Front Overhang	34.9	34.9	34.9	34.9
G	Wheelbase	138.0	138.0	138.0	138.0
H	Rear Overhang	43.8	63.8	43.8	63.8
J	Engine Cover to Rear	138.7	158.7	138.7	158.7
K	Cargo Width — Wheelhouse	52.5	52.5	52.5	52.5
M	Overall Length (Curb)	216.7	236.4	216.7	236.4
N	Overall Height (Curb)	84.8	85.0	83.7	83.6
O	Rear Opening Width at Floor	53.9	53.9	53.9	53.9
P	Rear Opening Height	49.5	49.5	49.5	49.5
Q	Width at Floor	73.6	73.7	73.6	73.7
S	Front Track (Curb)	69.4	69.4	69.4	69.4
S	Rear Track (Curb)	66.6	66.6	66.6	66.6
T	Vehicle Width (excluding mirrors)	79.4	79.4	79.4	79.4

**NOTE:** Front jacking point — located under the front radius arm rearward of the sloped section (use flat space provided).

**NOTE:** Rear jacking point — located under rear axle between U-bolts.

### CARGO VOLUME

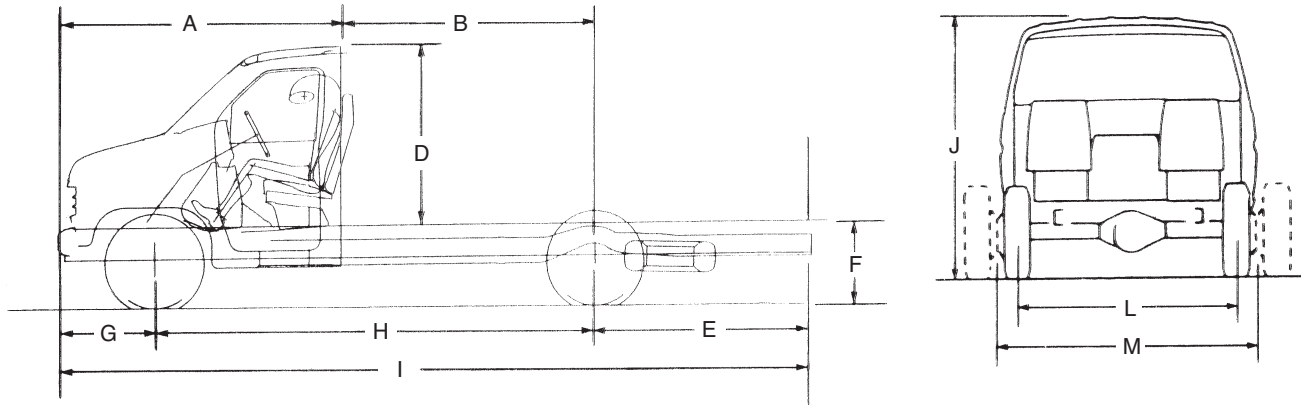
Series	Model	Wheelbase (in.)	Door	Volume (cu. ft.)
				w/Driver/Passenger Seat
All	Regular Length	138	Hinged/Sliding	237.8
All	Extended Length	138	Hinged/Sliding	278.3
Crew Van	Regular Length	138	Hinged/Sliding	146.4
Crew Van	Extended Length	138	Hinged/Sliding	186.6

**NOTE:** Please see the Major Product Summary pages and/or the Dealer Ordering Guide for availability.

# 2014

## E-Series Van/Cutaway

### Body Dimensions cont'd



### BODY DIMENSIONS (in inches) – E-350/E-450 Cutaway

Series	Model	E-350			E-450	
		SRW/DRW	SRW/DRW	DRW	DRW	DRW
<b>Code</b>	<b>Description</b>					
A	Cab Length	92.5	92.5	92.5	92.5	92.5
B	Cab Rear to Rear Axle	80.0	100.0	118.0	100.0	118.0
D	Top of Frame to Top of Cab	54.4	54.4	54.4	58.4	58.4
E	Rear Overhang	68.5	68.5	50.5	68.5	50.5
F	Load Height (Loaded)	25.9/26.2	26.2	26.2	26.0	26.0
G	Front Overhang	34.6	34.6	34.6	34.6	34.6
H	Wheelbase	138.0	158.0	176.0	158.0	176.0
I	Overall Length	241.1	261.1	261.1	261.1	261.1
J	Cab Height (Curb)	80.4/80.3	80.2	80.1	80.0	80.0
L	Front Track	69.4	69.4	69.4	69.4	69.4
M	Rear Track Dual – Rear	72.1/75.4	75.4	75.4	77.7	77.7

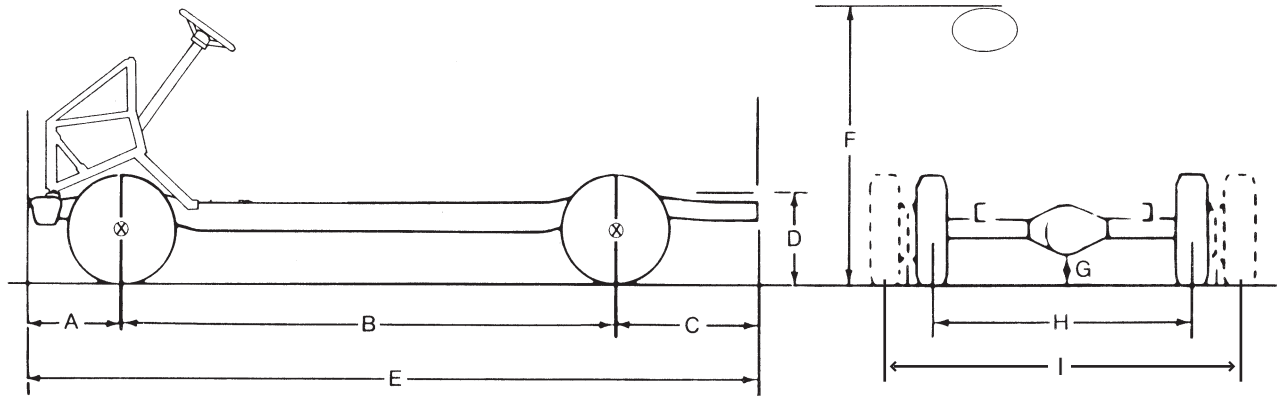
NOTE: Front jacking point — located under the front radius arm rearward of the sloped section (use flat space provided).

NOTE: Rear jacking point — located under rear axle between U-bolts.

# E-Series Van/Cutaway

## Body Dimensions cont'd

# 2014



### BODY DIMENSIONS (in inches) — E-350/E-450 Commercial Stripped Chassis

Model		Commercial Stripped Chassis		
		E-350	E-350/E-450	E-350/E-450
Series		DRW	DRW	DRW
Code	Description			
A	Frame to Front Axle	26.2	26.2	26.2
B	Wheelbase	138.0	158.0	176.0
C	Rear Overhang	68.5	68.5	50.5
D	Load Height (Loaded)	26.2	26.2/26.0	26.2/26.0
E	Overall Length	232.7	252.7	252.7
F	Height at Top of Steering Wheel (Loaded)	71.9	71.9/71.7	71.8/71.7
G	Axle Height Loaded	7.0	7.0	7.0
H	Front Track	69.4	69.4	69.4
I	Rear Track (SRW)	—	—	—
I	Rear Track (DRW)	75.4	75.4/77.7	75.4/77.7

**NOTE:** Front jacking point—located under the front radius arm rearward of the sloped section (use flat space provided).

**NOTE:** Rear jacking point—located under rear axle between U-bolts.

## E-Series Van/Cutaway Weight Ratings

GVWR/Payload/OPT & ARC/GAWR (Front Computer-selected)/with the exception of DRW E-350/E-450 Cutaway & Stripped Chassis/Base Curb Weight

Model	WB (in.)	Engine/ Trans.	Maximum GVWR (lbs.)	Maximum Payload	OPT/ ARC Weight (lbs.) <sup>(1)</sup>	GAWR (lbs.) <sup>(2)</sup>		Base Curb Weight (lbs.)		
						Front Range Min.-Max.	Rear	Front	Rear	Total
E-150 Van (Reg./ Rec./ Crew)	138	4.6L/4R75E	8520	3260	1142	3700-3800	5120	2880	2328	5208
		5.4L/4R75E	8600	3250	1059	3700-3900	5120	2941	2350	5291
E-150 Extended Van	138	4.6L/4R75E	8600	3190	1000	3400-3700	5260	2788	2562	5350
		5.4L/4R75E	8600	3110	920	3550-3700	5260	2848	2582	5430
E-250 Van (Reg./ Rec./ Crew)	138	4.6L/4R75E	8900	3610	1120	3750-3850	5520	2896	2334	5230
		5.4L/4R75E	9000	3630	1037	3800-3900	5520	2956	2357	5313
E-250 Extended Van	138	4.6L/4R75E	8900	3470	974	3550-3700	5520	2800	2576	5376
		5.4L/4R75E	9000	3480	890	3550-3800	5520	2862	2598	5460
E-350 Van	138	5.4L/4R75E	9500	4050	2187	4050-4200	6084	2975	2413	5388
		6.8L/5R110	9500	3840	1973	4200	6084	3139	2463	5602
	Aerial Bucket	5.4L/4R75E	9500	4040	2178	4600	5400	2972	2425	5397
		6.8L/5R110	9500	3830	1964	4600	5400	3136	2475	5611
E-350 Extended Van	138	5.4L/4R75E	9500	3920	2054	3800-4200	6084	2877	2644	5521
		6.8L/5R110	9500	3710	1846	3900-4200	6084	3043	2686	5729
	Aerial Bucket	5.4L/4R75E	9500	3910	2045	4600	5400	2874	2656	5530
		6.8L/5R110	9500	3700	1837	4600	5400	3040	2708	5738
E-350 Cutaway	138	5.4L/5R110	10,050	5268	3718	4050-4200	6084	2814	1968	4782
		SRW	6.8L/5R110	10,050	5152	3602	4200	6084	2910	1988
	DRW	5.4L/5R110	11,500	6441	3441	4050-4600	7800	2854	2205	5059
		6.8L/5R110	11,500	6327	3327	4200-4600	7800	2953	2220	5173
E-350 Cutaway	158	5.4L/5R110	10,050	5203	3653	4200	6084	2901	1946	4847
		SRW	6.8L/5R110	10,050	5090	3540	4200	6084	2991	1969

(1) OPT/ARC Weight is the maximum allowable weight for regular production options (OPT) and aftermarket equipment (Accessory Reserve Capacity) for models with standard equipment and the engine/transmission combination indicated.

(2) Gross Axle Weight Rating is determined by the rated capacity of the minimum component of the axle system (axle, computer-selected springs, wheels, tires) of a specific vehicle. Front and rear GAWRs will, in all cases, sum to a number equal to or greater than the GVWR for the particular vehicle. Maximum loaded vehicle (including passengers, equipment and payload) cannot exceed the GVWR or GAWR (front or rear).

**NOTE:** Refer to pages 48-54 for Standard Powertrain/Chassis Equipment Specifications. Refer to the Accessory Reserve Capacity (ARC) Calculation/Worksheet on pages 4-15-4-17 of the Truck Payload Appendices section on eSourceBook for available equipment weights.

# E-Series Van/Cutaway

## Weight Ratings cont'd

# 2014

GVWR/Payload/OPT & ARC/Spring & GAWR (Front Computer-selected)/with the exception of DRW E-350/E-450 Cutaway & Stripped Chassis/Base Curb Weight cont'd

Model	WB (in.)	Engine/Trans.	Maximum GVWR (lbs.)	Maximum Payload	OPT/ARC Weight (lbs.) <sup>(1)</sup>	Spring/GAWR (lbs.) <sup>(2)</sup>		Base Curb Weight (lbs.)		
						Front Range Min.-Max.	Rear	Front	Rear	Total
E-350 Cutaway	158 DRW	5.4L/5R110	11,500	6376	3376	4050-4600	7800	2941	2183	5124
		6.8L/5R110	11,500	6265	3265	4200-4600	7800	3034	2201	5235
	176 DRW	5.4L/5R110	12,500	7376	3376	4600-5000	8500	2941	2183	5124
		6.8L/5R110	12,500	7265	3265	4600-5000	8500	3034	2201	5235
		5.4L/5R110	12,500	7366	3366	4600-5000	8500	3006	2128	5134
		6.8L/5R110	12,500	7255	3255	4600-5000	8500	3100	2145	5245
E-350 Stripped Chassis	138 DRW	5.4L/5R110	11,500	7086	4286	4200-4600	7800	2246	2168	4414
		6.8L/5R110	11,500	6927	4127	4400-4600	7800	2373	2200	4573
	176 DRW	5.4L/5R110	12,500	8026	4226	4600-5000	8500	2309	2165	4474
		6.8L/5R110	12,500	7874	4074	4600-5000	8500	2432	2194	4626
		5.4L/5R110	12,500	7967	4167	4600-5000	8500	2365	2168	4533
		6.8L/5R110	12,500	7820	4020	4600-5000	8500	2487	2193	4680
E-450 Cutaway	158 DRW	5.4L/5R110	14,000	8646	4146	4600-5000	9600	2935	2419	5354
		6.8L/5R110	14,500	9040	4040	5000	9600	3030	2430	5460
	176 DRW	5.4L/5R110	14,000	8637	4137	4600-5000	9600	3022	2341	5363
		6.8L/5R110	14,500	9033	4033	5000	9600	3113	2354	5467
E-450 Stripped Chassis	158 DRW	5.4L/5R110	14,000	9397	4897	4600-5000	9600	2359	2244	4603
		6.8L/5R110	14,500	9747	4747	5000	9600	2483	2270	4753
	176 DRW	5.4L/5R110	14,000	9345	4845	4600-5000	9600	2393	2262	4655
		6.8L/5R110	14,500	9694	4694	5000	9600	2518	2288	4806

- (1) OPT/ARC Weight is the maximum allowable weight for regular production options (OPT) and aftermarket equipment (Accessory Reserve Capacity) for models with standard equipment and the engine/transmission combination indicated.
- (2) Gross Axle Weight Rating is determined by the rated capacity of the minimum component of the axle system (axle, computer-selected springs, wheels, tires) of a specific vehicle. Front and rear GAWRs will, in all cases, sum to a number equal to or greater than the GVWR for the particular vehicle. Maximum loaded vehicle (including passengers, equipment and payload) cannot exceed the GVWR or GAWR (front or rear).
- NOTE:** Refer to pages 48-54 for Standard Powertrain/Chassis Equipment Specifications. Refer to the Accessory Reserve Capacity (ARC) Calculation/Worksheet on pages 4-15-4-17 of the Truck Payload Appendices section on eSourceBook for available equipment weights.

E-Series Van/Cutaway

**NOTE:** Please see the Major Product Summary pages and/or the Dealer Ordering Guide for availability.

# 2014

## E-Series Van/Cutaway Standard Powertrain/Chassis Equipment Specifications

### E-150 Regular and Extended Van

<b>WHEELBASE (in.):</b>		138	138	138
<b>PAYLOAD PACKAGE:</b>		#1-STD.	#2-OPT. <sup>(1)</sup>	#2-OPT. <sup>(2)</sup>
<b>POWERTRAIN:</b>				
Engine	— Application	Refer to Order Guide		
	— Type	4.6L SEFI V8		
Transmission	— Type	4-speed Auto OD (4R75E)		
<b>AXLES:</b>				
Front Axle	— Type	Twin I-beam IFS		
	— Capacity (Rating @ Ground)	5000 lbs.		
Rear Axle	— Type	Semi-floating, Dana 9.75"		
	— Capacity (Rating @ Ground)	5520 lbs.		
<b>BRAKES:</b>				
Front Disc	— Type	Dual Piston Caliper (2.36" Diameter Piston)		
	— Size (in.)	13.58 Diameter Rotor		
Rear Disc	— Type	Dual Piston Caliper (1.89" Diameter Piston)		
	— Size (in.)	13.58 Diameter Rotor		
Power Assist Unit	— Boost Ratio	7.5:1		
	— Effective Diameter (in.)	13.46		
Anti-Lock System	— Type	4-wheel		
Parking Brake	— Rear brake drum-in-hat	Foot-operated, Push to Apply/Pull Release Lever to Disengage		
<b>ELECTRICAL:</b>				
Alternator	— Rating	6G135 — 120-amperes, 1620-watts <sup>(3)</sup>		
Battery	— Type	Maintenance-free		
	— Rating	72-amp.-hr., 650-CCA		
<b>FUEL TANK:</b>	— Capacity	33-gallon Midship		
	— Auxiliary Fuel Port	4.6L NA (5.4L Opt.)		
<b>JACK:</b>	— Capacity	2.0-ton		
<b>STEERING:</b>	— Type	Gear Assembly Power Steering		
	— Ratio	17.0:1		
<b>SUSPENSION:</b>				
Frame	— Type	Single-channel, 5 Crossmembers 36,000 psi Steel		
	— Section Modulus	3.30 cu. in.		
Springs, Front	— Type	Coil, Computer-selected		
	— Rating @ Ground (min.)	3550 lbs. Regular/5545 lbs. Extended		
Springs, Rear	— Type	Multi-leaf, Two-stage		
	— Rating @ Ground (min.)	5120 lbs. (Reg. Van); 5545 lbs. (Ext. Van)		
Shock Absorbers	— Gas-type	35 mm		
Stabilizer Bar	— Front — Diameter	25.4 mm		
<b>TIRES:</b>	— Type	Five, BSW, Steel-belted Radial, All-season		
	— Size	LT225/75Rx16E All-season		
	— Spare Tire Carrier	Frame-mounted at Rear with Cable Retention		
<b>WHEELS:</b>	— Type & Size	Five, 8-hole Disc, 16" x 7" J Steel		

(1) Available on Recreational Van only.

(2) Available on Crew Van only.

(3) Rated current (@ 6000 rpm) per ISO 8854: 1988 (E) and SAE J56 JUN1999. Actual output is temperature and application dependent.

**NOTE:** Please see the Major Product Summary pages and/or the Dealer Ordering Guide for availability.

# E-Series Van/Cutaway

## Standard Powertrain/Chassis

### Equipment Specifications cont'd

# 2014

#### E-250 Regular and Extended Van

<b>SERIES:</b>		Regular Van	Extended Van
<b>WHEELBASE (in.):</b>		138	138
<b>PAYLOAD PACKAGE:</b>		#1-STD.	#1-OPT. <sup>(1)</sup>
<b>POWERTRAIN:</b>	— Application	Refer to Order Guide	
	— Engine	4.6L SEFI V8	
	— Transmission	4-speed Auto OD (4R75E)	
<b>AXLES:</b>			
	— Front Axle	Twin I-beam IFS	
	— Capacity (Rating @ Ground)	5000 lbs.	
	— Rear Axle	Semi-floating, Dana 9.75"	
	— Capacity (Rating @ Ground)	5520 lbs.	
<b>BRAKES:</b>			
	— Front Disc	Dual Piston Caliper (2.36" Diameter Piston)	
	— Size (in.)	13.58 Diameter Rotor	
	— Rear Disc	Dual Piston Caliper (1.89" Diameter Piston)	
	— Size (in.)	13.58 Diameter Rotor	
	— Power-Assist Unit	7.5:1	
	— Effective Diameter (in.)	13.46	
	— Anti-Lock System	4-wheel	
	— Parking Brake	Rear brake drum-in-hat	
		Foot-operated, Push to Apply/Pull Release Lever to Disengage	
<b>ELECTRICAL:</b>			
	— Alternator	6G135 — 120-amperes, 1620-watts <sup>(2)</sup>	
	— Battery	Maintenance-free	
	— Rating	72-amp.-hr., 650-CCA	
<b>FUEL TANK:</b>	— Capacity	33-gallon, Midship	
	— Auxiliary Fuel Port	4.6L NA (5.4L Opt.)	
<b>JACK:</b>	— Capacity	2.0-ton	
<b>STEERING:</b>	— Type	Gear Assembly Power Steering	
	— Ratio	17.0:1	
<b>SUSPENSION:</b>			
	— Frame	Single-channel, 5 Crossmembers (6 with Super Van), 36,000 psi Steel	
	— Section Modulus	3.30 cu. in.	
	— Springs, Front	Coil, Computer-selected	
	— Rating @ Ground (min.)	3550 lbs.	
	— Springs, Rear	Multi-leaf, Two-stage	
	— Rating @ Ground (min.)	5545 lbs.	
	— Shock Absorbers	Gas-type	
	— Stabilizer Bar	Front — Diameter	
		25.4 mm	
<b>TIRES:</b>	— Type	Five, Steel-belted Radial, All-season	
	— Size	LT245/75Rx16E	
	— Spare Tire Carrier	Frame-mounted at Rear with Cable Retention	
<b>WHEELS:</b>	— Type & Size	Five, 8-hole Disc, 16" x 7.0" K Steel	

(1) Available for Crew Van only.

(2) Rated current (@ 6000 rpm) per ISO 8854: 1988 (E) and SAE J56 JUN1999. Actual output is temperature and application dependent.

**NOTE:** Please see the Major Product Summary pages and/or the Dealer Ordering Guide for availability.

May 2013

esourcebook.dealerconnection.com

RE&T: 2014 Source Book



# 2014

## E-Series Van/Cutaway Standard Powertrain/Chassis Equipment Specifications cont'd

### E-350 Regular and Extended Van

SERIES:		Regular Van	Extended Van
<b>WHEELBASE (in.):</b>		138	138
<b>PAYLOAD PACKAGE:</b>		#1-STD. <sup>(1)</sup>	#1-OPT. <sup>(2)</sup>
<b>POWERTRAIN:</b>		#1-STD. <sup>(1)</sup>	#1-OPT. <sup>(2)</sup>
Engine	— Application	Refer to Order Guide	
	— Type	5.4L SEFI V8	
Transmission	— Type	4-speed Auto OD (4R75E)	
<b>AXLES:</b>			
Front Axle	— Type	Twin I-beam IFS	
	— Capacity (Rating @ Ground)	5000 lbs.	
Rear Axle	— Type	Semi-floating, Dana 9.75" HD	
	— Capacity (Rating @ Ground)	6340 lbs.	
<b>BRAKES:</b>			
Front Disc	— Type	Dual Piston Caliper (2.36" Diameter Piston)	
	— Size (in.)	13.58 Diameter Rotor	
Rear Disc	— Type	Dual Piston Caliper (1.89" Diameter Piston)	
	— Size (in.)	13.58 Diameter Rotor	
Power-Assist Unit	— Type	Dual Diaphragm	
	— Boost Ratio	7.5:1	
Anti-Lock System	— Type	4-wheel	
Parking Brake	— Rear brake drum-in-hat	Foot-operated, Push to Apply/Pull Release Lever to Disengage	
<b>ELECTRICAL:</b>			
Alternator	— Rating	6G135 — 120-amperes, 1620-watts <sup>(3)</sup> SC2 — 155-amperes, 2090-watts <sup>(3)</sup> — available (5.4L & 6.8L only) SC6 — 225-amperes, 3035-watts <sup>(3)</sup> — available (5.4L & 6.8L only)	
Battery	— Type	Maintenance-free	
	— Rating	72-amp.-hr., 650-CCA	
<b>FUEL TANK:</b>	— Capacity	33-gallon Midship	
<b>JACK:</b>	— Capacity	2.0-ton	
<b>STEERING:</b>	— Type	Gear Assembly Power Steering	
	— Ratio	17.0:1	
<b>SUSPENSION:</b>			
Frame	— Type	Single-channel, 5 Crossmembers	Single-channel, 6 Crossmembers, 36,000 psi Steel
	— Section Modulus	5.44 cu. in.	
Springs, Front	— Type	Coil, Computer-selected	
	— Rating @ Ground (min.)	3100 lbs. 3250 lbs.	3100 lbs.
Springs, Rear	— Type	Multi-leaf, Two-stage	
	— Rating @ Ground (min.)	6195 lbs.	
Shock Absorbers	— Gas-type	35 mm	
Stabilizer Bar	— Front — Diameter	25.4 mm	
<b>TIRES:</b>	— Type	Five, Steel-belted Radial, All-season	
	— Size	LT245/75R16E	
	— Spare Tire Carrier	Frame-mounted at Rear with Cable Retention	
<b>WHEELS:</b>	— Type & Size	Five, 8-hole Disc, 16" x 7.0" K Steel	

(1) Includes standard Class I Trailer Towing Package which includes 4-pin trailer wiring harness. Also, these models are available for Recreational Van.

(2) Available on Crew Van only.

(3) Rated current (@ 6000 rpm) per ISO 8854: 1988 (E) and SAE J56 JUN1999. Actual output is temperature and application dependent.

**NOTE:** Please see the Major Product Summary pages and/or the Dealer Ordering Guide for availability.

# E-Series Van/Cutaway

## Standard Powertrain/Chassis

### Equipment Specifications cont'd

# 2014

#### E-350 Cutaway

<b>REAR WHEELS:</b>		SRW	DRW	SRW	DRW	DRW	DRW
<b>WHEELBASE (in.):</b>		138	138	158	158	176	138
<b>PAYLOAD PACKAGE:</b>							#1 — OPT. <sup>(1)</sup>
<b>POWERTRAIN:</b>							
Engine	— Application	Refer to Order Guide					
	— Type	5.4L SEFI V8					
Transmission	— Type	5-speed Auto OD (TorqShift)					
<b>AXLES:</b>							
Front Axle	— Type	Twin I-beam IFS					
	— Capacity (Rating @ Ground)	5000 lbs.					
Rear Axle	— Type	Full-floating, Dana 10.5"					
	— Capacity (Rating @ Ground)	7800 lbs. 8500 lbs.					
<b>BRAKES:</b>							
Front Disc	— Type	Dual Piston Caliper (2.36" Diameter Piston)					
	— Size (in.)	13.58 Diameter Rotor					
Rear Disc	— Type	Dual Piston Caliper (1.89" Diameter Piston)					
	— Size (in.)	13.58 Diameter Rotor					
Power-Assist Unit	— Type	Vacuum-boost (SRW)/Hydro-Boost (DRW)					
	— Boost Ratio	13.46" 7.5:1 (SRW), 6.76:1 (DRW)					
Anti-Lock System	— Type	Dual Diaphragm (SRW), Hydro-Boost (DRW)					
Parking Brake	— Rear brake drum-in-hat	Foot-operated, Push to Apply/Pull Release Lever to Disengage					
<b>ELECTRICAL:</b>							
Alternator	— Rating	6G135 — 120-amperes, 1620-watts <sup>(2)</sup> SC2 — 155-amperes, 2090-watts <sup>(2)</sup> — available (5.4L & 6.8L only) SC6 — 225-amperes, 3035-watts <sup>(2)</sup> — available (5.4L & 6.8L only)					
Battery	— Type	Maintenance-free					
	— Rating	72-amp.-hr., 650-CCA					
Kit	—	Modified Vehicle Wiring					
<b>FUEL TANK:</b>	— Capacity <sup>(3)</sup>	40-gallon Aft-of-rear-axle					
<b>JACK:</b>	— Capacity	4.0-ton					
<b>STEERING:</b>	— Type	Gear Assembly Power Steering					
	— Ratio	17.0:1					
<b>SUSPENSION:</b>							
Frame	— Type	Single-channel, 6 Crossmembers, 36,000 psi Steel (Includes 2 Lateral Spacers, 4 Longitudinal Spacers and 12 Body Mounts with 138", 158" WB. Or, 4 Lateral Spacers, 2 Longitudinal Spacers and 12 Body Mounts with 176" WB.)					
	— Section Modulus	5.73 cu. in.					
Springs, Front	— Type	Coil, Computer-selected					
	— Rating @ Ground (min.)	3199 lbs.		3100 lbs.		3100 lbs.	
Springs, Rear	— Type	Multi-leaf, Single-stage					
	— Rating @ Ground (min.)	7310 lbs.		8500 lbs.			
Shock Absorbers	— Gas-type	35 mm					
Stabilizer Bar	— Front/Rear—Diameter	Front — 25.4 mm (SRW)/23 mm (DRW); Rear — 28.6 mm (DRW)					
<b>TIRES:</b>	— Type	Four, Truck-type Steel-belted Radial, All-season (Six with DRW)					
	— Size	LT245/ 75Rx16E		LT225/ 75Rx16E			
<b>WHEELS:</b>	— Type & Size	Four, 8-hole Disc, 16" x 7.0" K Steel (Six, 16" x 6.0" K with DRW)					

(1) Available on School Bus Body Builder Prep Package only.

(2) Rated current (@ 6000 rpm) per ISO 8854: 1988 (E) and SAE J56 JUN1999. Actual output is temperature and application dependent.

(3) Also includes 7.5-gallon plastic transit fuel tank (may be deleted), Auxiliary Fuel Port and Fuel System Conversion Kit.

**NOTE:** Please see the Major Product Summary pages and/or the Dealer Ordering Guide for availability.

May 2013

esourcebook.dealerconnection.com

RE&T: 2014 Source Book

## E-Series Van/Cutaway Standard Powertrain/Chassis Equipment Specifications cont'd

### E-350 Commercial Stripped Chassis

<b>REAR WHEELS:</b>		DRW	DRW	DRW	DRW	DRW
<b>WHEELBASE (in.):</b>		138	158	176	158	176
<b>POWERTRAIN:</b>						
Engine	— Application	Refer to Order Guide				
	— Type	5.4L SEFI V8				
Transmission	— Type	5-speed Auto OD (TorqShift)				
<b>AXLES:</b>						
Front Axle	— Type	Twin I-beam IFS				
	— Capacity (Rating @ Ground)	5000 lbs.				
Rear Axle	— Type	Full-floating, Dana 10.5"				
	— Capacity (Rating @ Ground)	6340 lbs.	8500 lbs.	7800 lbs.		
<b>BRAKES:</b>						
Front Disc	— Type	Dual Piston Caliper (2.36" Diameter Piston)				
	— Size (in.)	13.58 Diameter Rotor				
Rear Disc	— Type	Dual Piston Caliper (1.89" Diameter Piston)				
	— Size (in.)	13.58 Diameter Rotor				
Power-Assist Unit	— Boost Ratio	Hydro-Boost 6.76:1 (DRW)				
	— Effective Diameter	13.46"				
Anti-Lock System		4-wheel				
Parking Brake	— Rear brake drum-in-hat	Foot-operated, Push to Apply/Pull Release Lever to Disengage				
<b>ELECTRICAL:</b>						
Alternator	— Rating	6G135 — 120-amperes, 1620-watts <sup>(1)</sup> SC2 — 155-amperes, 2090-watts <sup>(1)</sup> — available (5.4L and 6.8L only) SC6 — 225-amperes, 3035-watts <sup>(1)</sup> — available (5.4L and 6.8L only)				
Battery	— Type	Maintenance-free				
	— Rating	72-amp.-hr., 650-CCA				
Kit	—	Modified Vehicle Wiring				
<b>FUEL TANK:</b>	— Capacity	40-gallon Aft-of-rear-axle				
<b>STEERING:</b>	— Type	Gear Assembly Power Steering				
	— Ratio	17.0:1				
<b>SUSPENSION:</b>						
Frame	— Type	Single-channel, 6 Crossmembers, 36,000 psi Steel				
	— Section Modulus	5.73 cu. in.				
Springs, Front	— Type	Coil, Computer-selected				
	— Rating @ Ground (min.)	3100 lbs.	3550 lbs.	3800 lbs.	4050 lbs.	
Springs, Rear	— Type	Multi-leaf, Single-stage				
	— Rating @ Ground (min.)	8500 lbs. (DRW)				
Shock Absorbers	— Gas-type	35 mm				
Stabilizer Bar	— Front — Diameter	23 mm (DRW)				
	— Rear — Diameter	28.6 mm (DRW)				
<b>TIRES:</b>	— Type	Truck-type Steel-belted Radial, All-season				
	— Size	Six, LT225/75Rx16E <sup>(2)</sup>				
	— Spare tire carrier	None				
<b>WHEELS:</b>	— Type & Size	Six, 8-hole Disc, 16" x 6.0" K Steel <sup>(2)</sup>				

(1) Rated current (@ 6000 rpm) per ISO 8854: 1988 (E) and SAE J56 JUN1999. Actual output is temperature and application dependent.

(2) Spare tire and wheel are shipped temporarily mounted to the top of the frame.

**NOTE:** Please see the Major Product Summary pages and/or the Dealer Ordering Guide for availability.

# E-Series Van/Cutaway

## Standard Powertrain/Chassis

### Equipment Specifications cont'd

# 2014

#### E-450 Commercial Stripped Chassis

<b>DUAL REAR WHEELS:</b>	DRW	DRW
<b>WHEELBASE (in.):</b>	158	176
<b>POWERTRAIN:</b>		
Engine	— Application	Refer to Order Guide
	— Type	5.4L SEFI V8
Transmission	— Type	5-speed Auto OD (TorqShift)
<b>AXLES:</b>		
Front Axle	— Type	Twin I-beam IFS
	— Capacity (Rating @ Ground)	5000 lbs.
Rear Axle	— Type	Full-floating, Dana 10.75" HD
	— Capacity (Rating @ Ground)	9600 lbs.
<b>BRAKES:</b>		
Front Disc	— Type	Dual Piston Caliper (2.36" Diameter Piston)
	— Size (in.)	13.58 Diameter Rotor
Rear Disc	— Type	Dual Piston Caliper (2.12" Diameter Piston)
	— Size (in.)	13.58 Diameter Rotor
Power-Assist Unit	— Type	Hydro-Boost
	— Boost Ratio	6.76:1
Anti-Lock System		4-wheel
Parking Brake	— Rear brake drum-in-hat	Foot-operated, Push to Apply/Pull Release Lever to Disengage
<b>ELECTRICAL:</b>		
Alternator	— Rating	6G135 — 120-amperes, 1620-watts <sup>(1)</sup> SC2 — 155-amperes, 2090-watts <sup>(1)</sup> — available (5.4L and 6.8L only) SC6 — 225-amperes, 3035-watts <sup>(1)</sup> — available (5.4L and 6.8L only)
Battery	— Type	Maintenance-free
	— Rating	72-amp.-hr., 650-CCA
Kit	—	Modified Vehicle Wiring
<b>FUEL TANK:</b>	— Capacity	55-gallon
<b>STEERING:</b>	— Type	Gear Assembly Power Steering
	— Ratio	17.0:1
<b>SUSPENSION:</b>		
Frame	— Type	Single-channel, 6 Crossmembers, 36,000 psi Steel
	— Section Modulus	5.730 cu. in.
Springs, Front	— Type	Coil, Computer-selected
	— Rating @ Ground (min.)	5000 lbs.
Springs, Rear	— Type	Multi-leaf, Single-stage
	— Rating @ Ground (min.)	9600 lbs.
Shock Absorbers	— Gas-type	35 mm
Stabilizer Bar	— Front — Diameter	Front — 23 mm      Rear — 28.6 mm
<b>TIRES:</b>	— Type	Truck-type Steel-belted Radial, All-season
	— Size	Seven, LT225/75Rx16E
	— Spare tire carrier	None
<b>WHEELS:</b>	— Type & Size	Six, 8-hole Disc, 16" x 6.0" K Steel <sup>(2)</sup>

(1) Rated current (@ 6000 rpm) per ISO 8854: 1988 (E) and SAE J56 JUN1999. Actual output is temperature and application dependent.

(2) Spare tire and wheel are shipped temporarily mounted to the top of the frame.

**NOTE:** Please see the Major Product Summary pages and/or the Dealer Ordering Guide for availability.

May 2013

esourcebook.dealerconnection.com

RE&T: 2014 Source Book

## E-Series Van/Cutaway Standard Powertrain/Chassis Equipment Specifications cont'd

### E-450 Cutaway

<b>DUAL REAR WHEELS:</b>			
<b>WHEELBASE (in.):</b>	158	176	
<b>POWERTRAIN:</b>			
Engine	— Application	Refer to Order Guide	
	— Type	6.8L SEFI V10	
Transmission	— Type	5-speed Auto OD (TorqShift)	
<b>AXLES:</b>			
Front Axle	— Type	Twin I-beam IFS	
	— Capacity (Rating @ Ground)	4600 lbs.	
Rear Axle	— Type	Full-floating, Dana 10.75" HD	
	— Capacity (Rating @ Ground)	9600 lbs.	
<b>BRAKES:</b>			
Front Disc	— Type	Dual Piston Caliper (2.36" Diameter Piston)	
	— Size (in.)	13.58 Diameter Rotor	
Rear Disc	— Type	Dual Piston Caliper (2.12" Diameter Piston)	
	— Size (in.)	13.58 Diameter Rotor	
Power-Assist Unit	— Boost Ratio	Hydro-Boost, 6.76:1	
Anti-Lock System		4-wheel	
Parking Brake	— Rear brake drum-in-hat	Foot-operated, Push to Apply/Pull Release Lever to Disengage	
<b>ELECTRICAL:</b>			
Alternator	— Rating	6G135 — 120-amperes, 1620-watts <sup>(1)</sup> SC2 — 155-amperes, 2090-watts <sup>(1)</sup> — available (5.4L and 6.8L only) SC6 — 225-amperes, 3035-watts <sup>(1)</sup> — available (5.4L and 6.8L only)	
	Battery	— Type	Maintenance-free
		— Rating	72-amp.-hr., 650-CCA
Kit		Modified Vehicle Wiring	
<b>FUEL TANK:</b>	— Capacity <sup>(2)</sup>	55-gallon Aft-of-rear-axle	
<b>STEERING:</b>	— Type	Gear Assembly Power Steering	
	— Ratio	17.0:1	
<b>SUSPENSION:</b>			
Frame	— Type	Single-channel, 6 Crossmembers, 36,000 psi Steel	
	— Section Modulus	6.40 cu. in.	
Springs, Front	— Type	Coil	
	— Rating @ Ground (min.)	4600 lbs.	
Springs, Rear	— Type	Multi-leaf, Single-stage	
	— Rating @ Ground (min.)	9600 lbs.	
Shock Absorbers	— Gas-type	35 mm	
Stabilizer Bar	— Front — Diameter	23 mm	
	— Rear — Diameter (DRW only)	28.6 mm	
<b>TIRES:</b>	— Type	Six Truck-type Steel-belted Radial, All-season	
	— Size	LT225/75Rx16E	
<b>WHEELS:</b>	— Type & Size	Six, 8-hole Disc, 16" x 6.0" K Steel	

(1) Rated current (@ 6000 rpm) per ISO 8854: 1988 (E) and SAE J56 JUN1999. Actual output is temperature and application dependent.

(2) Also includes 7.5-gallon plastic transit fuel tank (may be deleted), Auxiliary Fuel Port and Fuel System Conversion Kit.

**NOTE:** Please see the Major Product Summary pages and/or the Dealer Ordering Guide for availability.

# E-Series Van/Cutaway

## Technical Specifications

# 2014

### Axles

#### FRONT AXLE SPECIFICATIONS

Model/Series	E-150/E-250/E-350/E-450	
Max. Rating @ Ground (lbs.)	5000	
Type	Twin-I-beam Spindle with Ball Joints	
Axle	— Material	Nodular Cast Iron
	— Spring Centers (in.)	47.0
Radius Arms	— No.	2
	— Material	High-strength Low-alloy Steel
Ball Joint	Lubed-for-life Ball Joints	
Spindle	— Material	Nodular Cast Iron Body with Forged Steel Stem
Wheel Bearings	— Type	Tapered Roller

#### REAR AXLE SPECIFICATIONS

Model/Series	E-150	E-250	E-350	E-350 Extended	E-450
Make	Dana 9.75"		Dana 9.75" HD	Dana 10.5"	Dana 10.75" HD
Rating @ Ground (lbs.)	5520		6340	7800/8500	9600
Type	Semi-floating			Full-floating	
Driveline Attachment, Circular Flange	4.25"			4.75"	
Housing	— Type		Cast Center		
	— Cover Attachment		Bolted		
Section	— Tube Diameter (in.)		3.50		4.00
	— Thickness (in.)		0.33		0.39/0.56
Lubricant Capacity (pt.)	6.25			6.6	8.25
Spring Centers (in.)	48.92				
Wheel Bearings	— Type			Straight Roller	
				Tapered Roller, 2 Opposed	
Gears	— Type		Hypoid		
	— Material		Alloy Steel		
Ring Gear	— Pitch Diameter (in.)		9.75		10.50
	— Mounting		Overhung		
Differential	— Type		2-pinion		2-pinion <sup>(1)</sup>
	— L/S Type		Traction-Lok		Traction-Lok
Axle Shaft	— Spline — Minor Dia. (in.)		1.36		1.268
	— Spline — Major Dia. (in.)		1.45		1.375
	— Number of Splines		35		32
					35

(1) 4-pinion for limited-slip.

### Brakes

#### HYDRAULIC BRAKE EQUIPMENT SPECIFICATIONS — FRONT/REAR

Type	Model/Series	Rotor Dia (in.)		Brake Lining Segment	Area (sq. in.)/ Width (in.)/ Thickness (in.)	Caliper Piston Dia. (in.)	Gross Lining Area per Axle (sq. in.)	Total Swept Area per Axle (sq. in.)
		OD	ID					
Disc	All (Front)	13.58	8.70	Outboard	7.16/2.34/0.489	2.36	47.8	341.6
				Inboard	—			
	E-450 (Rear)	13.58	9.88	Outboard	5.96/1.74/0.51	2.12	43.65	272.70
				Inboard	—			
	E-350 (Rear)	13.58	9.88	Outboard	6.65/2.33/0.346	1.89	39.50	272.70
				Inboard	5.31/2.03/0.413			

**NOTE:** Please see the Major Product Summary pages and/or the Dealer Ordering Guide for availability.

May 2013

esourcebook.dealerconnection.com

RE&T: 2014 Source Book

### Brakes cont'd

#### BRAKE MASTER CYLINDER SPECIFICATIONS

Type	Model/Series	Bore Diameter (in.)
Dual System, Dash-mounted	E-150/E-250/E-350 SRW	1.3125
	E-350/E-450 DRW	1.375

#### POWER BRAKES VACUUM BOOSTER SPECIFICATIONS

Type	Model/Series	Ratio	Diaphragm Type
Bendix, Dash-mounted	E-150/E-250/E-350 (SRW)	7.5:1	Dual

#### POWER BRAKES HYDRAULIC BOOSTER SPECIFICATIONS

Type	Model/Series	Ratio
Hydro-Boost	E-350 DRW/E-450	6.76:1

### Cooling Systems

#### COOLING SYSTEM SPECIFICATION

Engine	Cooling	Trans. Usage	Core Size (in.)				Rows of Tubes	Fins per Inch	Cooling System Capacity (approx. quarts)	Fan Specifications		
			Frontal Area (sq. in.)	Height	Width	Thick.				Type	No. of Blades	Blade Dia. (in.)
4.6L SEFI V8	All	Auto.	708	23.6	30.0	1	1	15.2	23.8	Plastic	10	19.4
5.4L SEFI V8	All	Auto.	708	23.6	30.0	1	1	15.2	28.3	Plastic	10	19.4
6.8L SEFI V10	All	Auto.	708	23.6	30.0	1.4	1	16.5	30.4	Plastic	8	20.0

#### AUXILIARY AUTOMATIC TRANSMISSION OIL COOLER APPLICATIONS

Model/Series	Engine	Transmission	Standard No. of Plates	Air Conditioning No. of Plates	Trailer Towing No. of Plates
E-150/250	4.6L SEFI V8	4R75E	20 – 5/16" Ports	20 – 5/16" Ports	20 – 5/16" Ports
	5.4L SEFI V8	4R75E	20 – 1/2" Ports	20 – 1/2" Ports	20 – 1/2" Ports
E-250/350/450	5.4L SEFI V8	TorqShift	20 – 1/2" Ports	20 – 1/2" Ports	24 – 1/2" Ports
	6.8L SEFI V10	TorqShift	20 – 1/2" Ports	20 – 1/2" Ports	24 – 1/2" Ports

# E-Series Van/Cutaway

## Technical Specifications cont'd

# 2014

### Fuel System

#### FUEL SYSTEM DATA

Electronic Fuel Injection	4.6L SEFI V8	Sequential Multiport Fuel Injection
	5.4L SEFI V8	Sequential Multiport Fuel Injection
	6.8L SEFI V10	Sequential Multiport Fuel Injection
Fuel Pump	All Gasoline Engines	Electric-in-Tank High Pressure
Fuel Filter	All Gasoline Engines	In-line Large Capacity (One)
Air Cleaner	All Engines	Dry Element, Replaceable

### Steering

#### STEERING SPECIFICATIONS

Model/Series	Wheelbase (in.)	Power Steering <sup>(1)</sup>		Turning Diameter (ft.) <sup>(2)</sup>	
		Gear Ratio	Overall Ratio	Curb-to-Curb	Wall-to-Wall
E-150	138	17:1	21.2:1	48.6	50.1
E-250	138	17:1	21.2:1	48.6	50.1
E-350 SRW	138	17:1	21.2:1	48.6	50.0/50.0 <sup>(3)</sup>
E-350 DRW	138	17:1	21.2:1	48.6	50.0/50.1 <sup>(3)</sup>
E-350 SRW	158	17:1	21.2:1	54.8	56.2 <sup>(3)</sup>
E-350 DRW/	158	17:1	21.2:1	54.8	56.2 <sup>(3)</sup>
E-450	176	17:1	21.2:1	60.3	61.8 <sup>(3)</sup>

(1) 15-1/2" diameter steering wheel. E-350 Van with 6.8L SEFI V10 and Cutaway and Stripped Chassis models include HD Steering gear.

(2) Average of left and right turns with standard tires.

(3) Van and Cutaway only.

### Suspension

#### FRAME SPECIFICATIONS

Model/Series	Wheelbase (in.)	Maximum Side Rail Section (in.)	Section Modulus (cu. in.)	Yield Strength (psi)
E-150	138	6.16 x 3.18 x 0.181	3.30	36,000
E-250	138	6.16 x 3.18 x 0.181	3.30	36,000
E-350 Van	138	7.69 x 3.18 x 0.212	5.44	36,000
E-350/E-450 Cutaway/Stripped Chassis	138, 158, 176	7.69 x 3.18 x 0.228	5.73	36,000
E-450 Cutaway	158, 176	7.69 x 3.18 x 0.248	6.40	36,000

#### SHOCK ABSORBER SPECIFICATIONS

Model/Series	Usage	Number	Front & Rear Piston Diameter	
			(mm)	Type
E-150	Standard	4	35 mm	Gas pressurized
E-250	Standard	4	35 mm	Gas pressurized
E-350/E-450	Standard	4	35 mm	Gas pressurized

**NOTE:** Please see the Major Product Summary pages and/or the Dealer Ordering Guide for availability.

May 2013

esourcebook.dealerconnection.com

RE&T: 2014 Source Book



#### Suspension cont'd

#### SPRING SPECIFICATIONS — FRONT COIL

Model/Series	GVWR (lbs.)	Combined Rating @ Ground (lbs.)	Normal Working Height of Spring (in.)	Wire Diameter (in.)	Deflection Rate @ Ground (lbs. per in. each)	Inside Diameter (in.)	Rating Each @ Pad (lbs. per spring)
E-150 Van	8520/8600	3550	12.0	0.70	304	4.0	2020
		3700	12.0	0.71	318	4.0	2101
		3800	12.0	0.72	328	4.0	2165
		3900	12.0	0.73	341	4.0	2229
E-250 Regular and Extended Van/Crew	8900/9000	3550	12.0	0.70	304	4.0	2020
		3700	12.0	0.71	318	4.0	2101
		3800	12.0	0.72	328	4.0	2165
		3900	12.0	0.73	341	4.0	2229
E-350 Van/Crew	9500	4050	12.0	0.74	354	4.0	2318
		3700	12.0	0.71	318	4.0	2101
		3800	12.0	0.72	328	4.0	2165
		3900	12.0	0.73	341	4.0	2229
		4200	12.0	0.74	354	4.0	2414
E-350 Extended Van/Crew	9500	4400	12.0	0.76	366	4.0	2542
		4600	12.0	0.78	366	4.0	2670
		3700	12.0	0.71	318	4.0	2101
		3800	12.0	0.72	328	4.0	2165
		3900	12.0	0.73	341	4.0	2229
		4050	12.0	0.74	354	4.0	2318
E-350 Cutaway	10,050 (SRW), 11,500, 12,500	4200	12.0	0.74	354	4.0	2414
		4400	12.0	0.76	366	4.0	2542
		4600	12.0	0.78	366	4.0	2670
		5000	12.0	0.79	418	4.0	2900
		3800	12.0	0.72	328	4.0	2165
		3900	12.0	0.73	341	4.0	2229
		4050	12.0	0.74	354	4.0	2318
E-350 Commercial Stripped Chassis	11,500, 12,500	4200	12.0	0.74	354	4.0	2414
		4400	12.0	0.76	366	4.0	2542
		4600	12.0	0.78	366	4.0	2670
		5000	12.0	0.79	418	4.0	2900
		3800	12.0	0.72	328	4.0	2165
		3900	12.0	0.73	341	4.0	2229
E-450 Cutaway/ Commercial Stripped Chassis	14,000	4600	12.0	0.78	366	4.0	2670
	14,500	5000	12.0	0.79	418	4.0	2900

NOTE: Please see the Major Product Summary pages and/or the Dealer Ordering Guide for availability.

# E-Series Van/Cutaway

## Technical Specifications cont'd

# 2014

### Suspension cont'd

#### SPRING SPECIFICATIONS — REAR MAIN LEAF

Model/Series	Combined Rating @ Ground (lbs.)	Number of Leaves	Total Thickness @ Pad (in.)	Length (in.)	Width (in.)	Deflection Rear (lbs. per in. per spring) <sup>(1)</sup>	Rating Each @ Pad (lbs. per spring)
E-150 Van	5120	4	1.94	55.0	3.00	378.5/599	2230
E-150 Extended Van	5545	4	1.94	55.0	3.00	350.0/649.0	2447
E-250 Van/Extended Van	5545	4	1.94	55.0	3.00	350.0/649.0	2447
E-350 Van/Extended Van/Extended Cutaway	6195	4	1.99	55.0	3.00	373.0/699.0	2772
E-350 Cutaway/Commercial Stripped Chassis SRW	7310	9	3.59	55.0	3.00	924.7	3296
E-350 Cutaway/Commercial Stripped Chassis DRW	8500	9	3.79	58.5	3.00	1087	3790
E-450 Cutaway/Commercial Stripped Chassis	9600	11	4.66	58.5	3.00	1138	4288

(1) Dual numbers indicate two-stage spring.

### Tires and Wheels

#### TIRE SPECIFICATIONS

Type/Size	Rim Width (in.)	Section Width (in.)	Ply Rating	Load Rating	Maximum Inflation Pressure (psi)	Load Limits @ Maximum Inflation Pressure (lbs.)	Static Loaded Radius (in.)	Revolutions per Mile @ 45 mph
LT225/75Rx16	6.0/7.0	9.50	8	D	60	2335	13.95	708
		9.60	10	E	80	2680	14.60	709
LT245/75Rx16	7.0	10.20	10	E	80	3042	14.10	677

#### WHEEL SPECIFICATIONS

Wheel Type	Wheel Size	Nominal Offset (mm.)	No. of Studs	Bolt Circle (in.)	Max Wheel Capacity Load (lbs. @ ground)
Steel	16" x 7.0" K	0.25	8	6.5	2300 Front/ 3045 Rear
	16" x 6.0" K (Dual)	5.15	8	6.5	2300 Front/ 2365 Rear
Aluminum	16" x 7.0" J	0.25	8	6.5	3045

NOTE: Please see the Major Product Summary pages and/or the Dealer Ordering Guide for availability.

May 2013

esourcebook.dealerconnection.com

RE&T: 2014 Source Book

# E-Series Van/Cutaway

## Technical Specifications cont'd/ Special Applications

### Transmissions

#### AUTOMATIC TRANSMISSION SPECIFICATIONS

Make/Type	Ford 4-Speed Automatic Overdrive (4R75E)	Ford 5-Speed Automatic Overdrive (TorqShift®)
Engine	4.6L SEFI V8/5.4L SEFI V8	6.8L SEFI V10
Ratios (to 1)		
1st	2.84	3.11
2nd	1.55	2.11
3rd	1.00	1.55
4th — OD	0.70	1.00
5th — OD	—	0.71
Reverse	2.32	2.88
Converter Size & Type	12" 145K (L370 Bypass Clutch)	12" PCM Controlled Clutch Apply
Converter Stall Ratio	2.33	—
Converter Torque Ratio @ WOT Stall	—	2.2 (5.4L), 1.86 (6.8L)
Lubricant Capacity (pt.)	13.2 (E Lifetime Fluid)	18.2 (5.4L), 19.0 (6.8L)
Gear Set	Helical	Spur
Oil Cooler	Water	Oil to Air and In-Tank

## Special Applications

### Trailer Towing Information

For additional towing information, refer to the RV & Trailer Towing Guide, available as a printable PDF on eSourceBook, or the vehicle owner manual.

### Snowplow Information

Not recommended for Snowplow Applications.