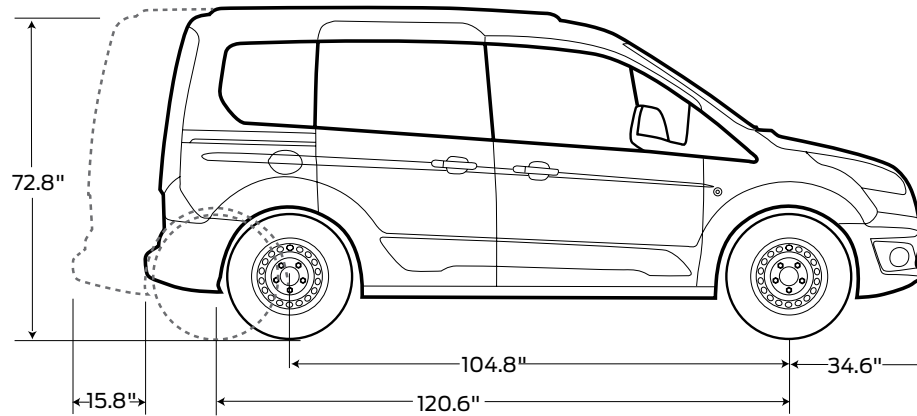


2014

Transit Connect

Dimensions and Capacities



BODY DIMENSIONS

Inches (unless otherwise noted)

Model	Van SWB/LWB	Wagon SWB/LWB
Description		
Overall Length	173.9/189.7	173.9/189.7
Wheelbase	104.8/120.6	104.8/120.6
Overall Width (with mirrors)	84.1/84.1	84.1/84.1
Overall Width (without mirrors)	72.2/72.2	72.2/72.2
Overall Height	72.5/72.8	72.6/72.0
Front Overhang	34.6/34.6	34.6/34.6
Rear Overhang	34.6/34.6	34.6/34.6
Front Track	61.4/61.4	61.4/61.4
Rear Track	61.7/61.7	61.7/61.7
Minimum Running Ground Clearance	6.0/6.3	6.0/6.4
Front Axle Clearance	7.8/8.1	7.3/7.7
Sliding Side Door Opening Height	48.3/48.3	44.9/44.9
Sliding Side Door Opening Width	24.1/33.0	24.1/33.0
Rear Door Opening Height	44.0/44.0	45.1/45.1
Rear Door Opening Width	49.3/49.3	47.0/47.0
Loading Height at Rear Door (curb)	23.4/23.7	23.5/22.7
Turning Diameter (curb-to-curb) (feet)	36.1/40.0	36.1/40.0

NOTE: Please see the Major Product Summary pages and/or the Dealer Ordering Guide for availability.

Transit Connect

Dimensions and Capacities cont'd

2014

INTERIOR DIMENSIONS

Model	Van SWB/LWB	Wagon SWB/LWB
Description (in.)		
Head Room (Front)	46.9/46.9	46.9/46.9
Head Room (Second-row)	—	45.1/45.1
Head Room (Third-row)	—	—/41.3
Leg Room (Front—max.)	41.5/41.5	41.5/41.5
Leg Room (Second-row)	—	37.6/37.6
Leg Room (Third-row)	—	—/34.9
Hip Room (First-row)	54.1/54.1	54.1/54.1
Hip Room (Second-row)	—	58.2/58.2
Hip Room (Third-row)	—	—/46.9
Shoulder Room (First-row)	57.6/57.6	57.6/57.6
Shoulder Room (Second-row)	—	58.4/58.4
Shoulder Room (Third-row)	—	—/56.3

CARGO DIMENSIONS

Model	Van SWB/LWB	Wagon SWB/LWB
Description (in.)		
Cargo Length Front (at Floor)	71.5/ 87.3	70.9/85.8
Cargo Length Front (at Belt)	61.3/ 77.1	60.9/ 76.7
Cargo Length w/Front Passenger Seat Folded (Van only)	101.1/ 116.9	—
Cargo Width Between Wheelhouses	48.3/48.3	46.9/46.9
Cargo Height Maximum	49.7/49.7	49.0/42.2

PASSENGER/CARGO VOLUME

Model	Van SWB/LWB	Wagon SWB/LWB
Description (cu. ft.)		
Passenger Volume	63.2/63.2	120.6/165.9
Cargo Volume Behind First-row (with second-row seat folded)	—	77.1/104.2
Cargo Volume Behind Second-row	—	46.9/58.9
Cargo Volume Behind Third-row (with third-row seat in design position)	—	—/ 15.7
Cargo Volume Behind Third-row (with third-row seat moved to most forward position)	—	—/ 19.8
Cargo Volume Behind First-row (Van only—no second or third-row seat)	103.9/128.6	—
Max. Cargo Volume with front passenger seat folded (Van only; without bulkhead)	124.3/149.0	—

NOTE: Please see the Major Product Summary pages and/or the Dealer Ordering Guide for availability.

Revised June 2014

esourcebook.dealerconnection.com

RE&T: 2014 Source Book

2014

Transit Connect

Weight Ratings

GVWR/PAYLOAD/ARC/GAWR/BASE CURB WEIGHT

Style	Wheel-base (in.)	Engine	Max. GVWR (lbs.)	Max. Payload (lbs.) ⁽¹⁾	ARC Weight ⁽²⁾		Max GAWR (lbs.)		Base Curb Weight (lbs.)		
					Front	Total	Front	Rear	Front	Rear	Total
SWB Van	104.8	1.6L	4980	1560	365	522	2590	2755	2037	1430	3467
LWB Van	120.6	1.6L	5240	1710	385	404	2716	2866	2124	1456	3580
SWB Wagon	104.8	1.6L	4780	1110	355	193	2716	2568	2058	1572	3630
SWB Van	104.8	2.5L	5020	1560	318	480	2590	2755	2080	1425	3505
LWB Van	120.6	2.5L	5270	1700	337	361	2716	2866	2167	1451	3618
SWB Wagon	104.8	2.5L	4820	1130	312	195	2716	2578	2101	1567	3668
LWB Wagon	120.6	2.5L	5280	1270	0	0	2716	2716	2254	1725	3979
LWB Taxi	120.6	2.5L	5160	1240	NA	NA	2716	2716	2231	1644	3875

(1) Load rating represents maximum allowable weight of people, cargo, and body equipment and is reduced by optional equipment weight.

(2) ARC aftermarket equipment Accessory Reserve Capacity for models with standard equipment.

NOTE: Please see the Major Product Summary pages and/or the Dealer Ordering Guide for availability.

Transit Connect

Technical Specifications

2014

BODY

Construction	Steel unibody
Final Assembly Location	Valencia, Spain

POWERTRAIN AND CHASSIS

ENGINE

Type	1.6L EcoBoost I-4
Manufacturing Location	Bridgend, UK
Configuration	Aluminum block and head
Intake Manifold	Nylon (PA6 GF30)
Exhaust Manifold	Cast iron
Crankshaft	Cast iron
Redline	6375 rpm (intermittent)
Idle Speed in Drive	650 rpm
Throttle Body	Electronic
Valvetrain	DOHC, 4 valves per cylinder, twin independent variable camshaft timing
Cylinder Head Valve Diameter (mm)	Intake 30.1, Exhaust 24.9
Pistons	Die-cast aluminum
Connecting Rods	Powdered metal
Ignition	Electronic
Bore (in.) x Stroke (mm)	3.11 x 3.20 in.
Displacement (cu. in./cc)	97.4 cu. in./1596 cc
Compression Ratio	10.0:1
Horsepower	178⁽¹⁾ @ 5700 rpm
Torque	184 lb.-ft.⁽¹⁾ @ 2500 rpm
Fuel Injection	Direct gasoline injection, turbocharger
Oil Capacity (quarts)	4.5 (with filter)
Recommended Oil	5W-20
Emissions Control	Three-way catalyst

ENGINE

Federal Standards	Yes
California Standards	Yes

DRIVETRAIN

Layout	Front-wheel drive (FWD)
--------	-------------------------

(1) Ratings achieved using 93-octane premium fuel.

NOTE: Please see the Major Product Summary pages and/or the Dealer Ordering Guide for availability.

Revised November 2013

esourcebook.dealerconnection.com

RE&T: 2014 Source Book

2014

Transit Connect

Technical Specifications cont'd

BODY

Construction	Steel unibody
Final Assembly Location	Valencia, Spain

POWERTRAIN AND CHASSIS
ENGINE

Type	2.5L Duratec I-4
Manufacturing Location	Chihuahua, Mexico
Configuration	Aluminum block and head
Intake Manifold	Nylon (PA6 GF30)
Exhaust Manifold	Cast iron
Crankshaft	Cast iron
Redline	6500 rpm
Idle Speed in Drive	700 rpm
Throttle Body	Electronic
Valvetrain	DOHC, 4 valves per cylinder, intake variable camshaft timing
Cylinder Head Valve Diameter (mm)	Intake 35, Exhaust 30
Pistons	Die-cast aluminum
Connecting Rods	Powdered metal
Ignition	Electronic
Bore (in.) x Stroke (mm)	3.50 x 3.94/89 x 100
Displacement (cu. in./cc)	152/2488
Compression Ratio	9.7:1
Horsepower	169 @ 6000 rpm
Torque	172 lb.-ft. @ 4500 rpm
Fuel Injection	Sequential multiport electronic
Oil Capacity (quarts)	5.7 (with filter)
Recommended Oil	5W-20
Emissions Control	Three-way catalyst

ENGINE

Federal Standards	Yes
California Standards	Yes

DRIVETRAIN

Layout	Front-wheel drive (FWD)
--------	-------------------------

NOTE: Please see the Major Product Summary pages and/or the Dealer Ordering Guide for availability.

Transit Connect

Technical Specifications cont'd

2014

TRANSMISSION	
Standard	6-speed SelectShift automatic (6F35)
GEAR RATIOS	
1st	4.58:1
2nd	2.96:1
3rd	1.91:1
4th	1.45:1
5th	1.00:1
6th	0.75:1
Reverse	2.94:1
Final Drive	3.21:1 (2.5L/6-speed Auto Van)
SUSPENSION	
Front	Independent MacPherson strut suspension with stabilizer bar
Rear	Twist-beam rear with stabilizer bar
STEERING	
Type	Electric power-assisted
Steering Column	Manual tilt/telescoping
Turning Diameter (curb-to-curb) (feet)	36.1 SWB/40.0 LWB
BRAKES	
Type	4-wheel power front disc and rear disc Anti-Lock Braking System (ABS)
Front	Disc
Rear	Disc
Power Assist	Yes
WHEELS AND TIRES	
Wheels	16" wheels
Tires	215/55R16 AS
FUEL ECONOMY — EPA-estimated Rating (city/hwy./combined)⁽¹⁾	
1.6L EcoBoost I-4 — Van	22/30/25
1.6L EcoBoost I-4 — Wagon	22/29/25
2.5L iVCT I-4 — Van	21/29/24
2.5L iVCT I-4 — Wagon	20/28/23
(1) Actual mileage will vary.	

NOTE: Please see the Major Product Summary pages and/or the Dealer Ordering Guide for availability.