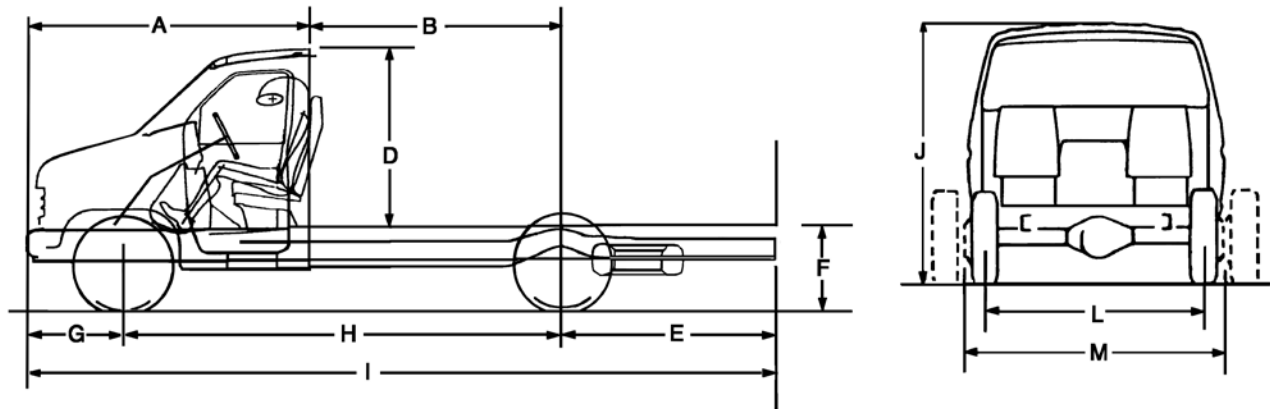


2015

E-Series Cutaway/ Stripped Chassis

Body Dimensions



BODY DIMENSIONS (in inches) – E-350/E-450 Cutaway

Series	E-350			E-450	
Model	Cutaway			Cutaway	
	SRW/DRW	SRW/DRW	DRW	DRW	DRW
Code	Description				
A	Cab Length				
B	Cab Rear to Rear Axle				
D	Top of Frame to Top of Cab				
E	Rear Overhang				
F	Load Height (Loaded)				
G	Front Overhang				
H	Wheelbase				
I	Overall Length				
J	Cab Height (Curb)				
L	Front Track				
M	Rear Track Dual – Rear				
Interior Dimensions					
Head Room (in.)					
Max. Leg Room (in.)					
Hip Room (in.)					
Shoulder Room (in.)					

NOTE: Front jacking point – located under the front radius arm rearward of the sloped section (use flat space provided).

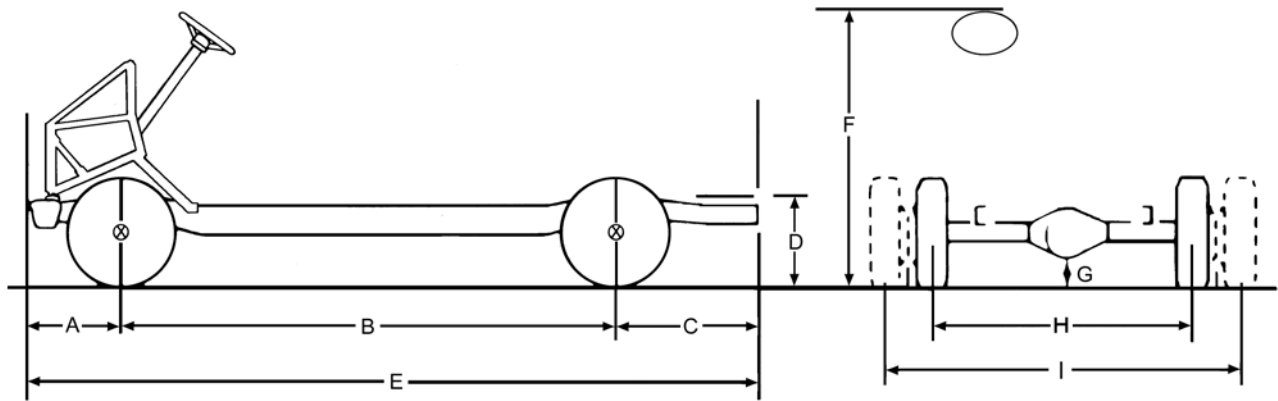
NOTE: Rear jacking point – located under rear axle between U-bolts.

NOTE: Please see the Major Product Summary pages and/or the Dealer Ordering Guide for availability.

E-Series Cutaway/ Stripped Chassis

Body Dimensions cont'd

2015



BODY DIMENSIONS (in inches) — E-350/E-450 Commercial Stripped Chassis

Model		Commercial Stripped Chassis		
		E-350	E-350/E-450	E-350/E-450
Series		DRW	DRW	DRW
Code	Description			
A	Frame to Front Axle	26.2	26.2	26.2
B	Wheelbase	138.0	158.0	176.0
C	Rear Overhang	68.5	68.5	50.5
D	Load Height (Loaded)	26.2	26.2/26.0	26.2/26.0
E	Overall Length	232.7	252.7	252.7
F	Height at Top of Steering Wheel (Loaded)	71.9	71.9/71.7	71.8/71.7
G	Axle Height Loaded	7.0	7.0	7.0
H	Front Track	69.4	69.4	69.4
I	Rear Track (SRW)	—	—	—
I	Rear Track (DRW)	75.4	75.4/77.7	75.4/77.7

NOTE: Front jacking point—located under the front radius arm rearward of the sloped section (use flat space provided).

NOTE: Rear jacking point—located under rear axle between U-bolts.

E-Series Cutaway/
Stripped Chassis

NOTE: Please see the Major Product Summary pages and/or the Dealer Ordering Guide for availability.

2015

E-Series Cutaway/ Stripped Chassis Weight Ratings

GVWR/Payload/OPT & ARC/Spring & GAWR (Front Computer-selected)/
Cutaway & Stripped Chassis/Base Curb Weight

Model	WB (in.)	Engine/ Trans.	Maximum GVWR (lbs.)	Maximum Payload	OPT/ ARC Weight (lbs.) ⁽¹⁾	Spring/GAWR (lbs.) ⁽²⁾		Base Curb Weight (lbs.)			
						Front Range Min.-Max.	Rear	Front	Rear	Total	
E-350 Cutaway	138	5.4L/5R110	10,050	5268	3718	4050-4200	6084	2814	1968	4782	
	SRW	6.8L/5R110	10,050	5152	3602	4200	6084	2910	1988	4898	
	138	5.4L/5R110	11,500	6441	3441	4050-4600	7800	2854	2205	5059	
	DRW	6.8L/5R110	11,500	6327	3327	4200-4600	7800	2953	2220	5173	
E-350 Cutaway	158	5.4L/5R110	10,050	5203	3653	4200	6084	2901	1946	4847	
	SRW	6.8L/5R110	10,050	5090	3540	4200	6084	2991	1969	4960	
E-350 Cutaway	158	5.4L/5R110	11,500	6376	3376	4050-4600	7800	2941	2183	5124	
			6.8L/5R110	11,500	6265	3265	4200-4600	7800	3034	2201	5235
			5.4L/5R110	12,500	7376	3376	4600-5000	8500	2941	2183	5124
	176	DRW	6.8L/5R110	12,500	7265	3265	4600-5000	8500	3034	2201	5235
				12,500	7366	3366	4600-5000	8500	3006	2128	5134
E-350 Stripped Chassis	138	5.4L/5R110	11,500	7086	4286	4200-4600	7800	2246	2168	4414	
			6.8L/5R110	11,500	6927	4127	4400-4600	7800	2373	2200	4573
	158	DRW	5.4L/5R110	12,500	8026	4226	4600-5000	8500	2309	2165	4474
				6.8L/5R110	12,500	7874	4074	4600-5000	8500	2432	2194
	176	DRW	5.4L/5R110	12,500	7967	4167	4600-5000	8500	2365	2168	4533
DRW	6.8L/5R110	12,500	7820	4020	4600-5000	8500	2487	2193	4680		
E-450 Cutaway	158	5.4L/5R110	14,000	8646	4146	4600-5000	9600	2935	2419	5354	
	DRW	6.8L/5R110	14,500	9040	4040	5000	9600	3030	2430	5460	
		176	5.4L/5R110	14,000	8637	4137	4600-5000	9600	3022	2341	5363
E-450 Stripped Chassis	DRW	5.4L/5R110	14,000	9397	4897	4600-5000	9600	2359	2244	4603	
			6.8L/5R110	14,500	9747	4747	5000	9600	2483	2270	4753
	176	DRW	5.4L/5R110	14,000	9345	4845	4600-5000	9600	2393	2262	4655
DRW	6.8L/5R110	14,500	9694	4694	5000	9600	2518	2288	4806		

- (1) OPT/ARC Weight is the maximum allowable weight for regular production options (OPT) and aftermarket equipment (Accessory Reserve Capacity) for models with standard equipment and the engine/transmission combination indicated.
- (2) Gross Axle Weight Rating is determined by the rated capacity of the minimum component of the axle system (axle, computer-selected springs, wheels, tires) of a specific vehicle. Front and rear GAWRs will, in all cases, sum to a number equal to or greater than the GVWR for the particular vehicle. Maximum loaded vehicle (including passengers, equipment and payload) cannot exceed the GVWR or GAWR (front or rear).
- NOTE:** Refer to pages 35-38 for Standard Powertrain/Chassis Equipment Specifications. Refer to the Accessory Reserve Capacity (ARC) Calculation/Worksheet on pages 4-4, 4-5 and 4-6 of the Truck Payload Appendices section on eSourceBook for available equipment weights.

NOTE: Please see the Major Product Summary pages and/or the Dealer Ordering Guide for availability.

E-Series Cutaway/ Stripped Chassis

Standard Powertrain/Chassis Equipment Specifications

2015

E-350 Cutaway

REAR WHEELS:	SRW	DRW	SRW	DRW	DRW	DRW
WHEELBASE (in.):	138	138	158	158	176	138
PAYLOAD PACKAGE:						#1 — OPT. ⁽¹⁾
POWERTRAIN:						
Engine	— Application	Refer to Order Guide				
	— Type	5.4L SEFI V8				
Transmission	— Type	5-speed Auto OD (TorqShift®)				
AXLES:						
Front Axle	— Type	Twin I-beam IFS				
	— Capacity (Rating @ Ground)	5000 lbs.				
Rear Axle	— Type	Full-floating, Dana 10.5"				
	— Capacity (Rating @ Ground)	7800 lbs. 8500 lbs.				
BRAKES:						
Front Disc	— Type	Dual Piston Caliper (2.36" Diameter Piston)				
	— Size (in.)	13.58 Diameter Rotor				
Rear Disc	— Type	Dual Piston Caliper (1.89" Diameter Piston)				
	— Size (in.)	13.58 Diameter Rotor				
Power-Assist Unit	— Type	Vacuum-boost (SRW)/Hydro-Boost (DRW)				
	— Boost Ratio	13.46" 7.5:1 (SRW), 6.76:1 (DRW)				
Anti-Lock System	— Type	Dual Diaphragm (SRW), Hydro-Boost (DRW)				
Parking Brake	— Rear brake drum-in-hat	Foot-operated, Push to Apply/Pull Release Lever to Disengage				
ELECTRICAL:						
Alternator	— Rating	6G135 — 120-amperes, 1620-watts ⁽²⁾ SC2 — 155-amperes, 2090-watts ⁽²⁾ — available SC6 — 225-amperes, 3035-watts ⁽²⁾ — available				
Battery	— Type	Maintenance-free				
	— Rating	72-amp.-hr., 650-CCA				
Kit	—	Modified Vehicle Wiring				
FUEL TANK:	— Capacity ⁽³⁾	40-gallon Aft-of-rear-axle				
JACK:	— Capacity	4.0-ton				
STEERING:	— Type	Gear Assembly Power Steering				
	— Ratio	17.0:1				
SUSPENSION:						
Frame	— Type	Single-channel, 6 Crossmembers, 36,000 psi Steel (Includes 2 Lateral Spacers, 4 Longitudinal Spacers and 12 Body Mounts with 138", 158" WB. Or, 4 Lateral Spacers, 2 Longitudinal Spacers and 12 Body Mounts with 176" WB.)				
	— Section Modulus	5.73 cu. in.				
Springs, Front	— Type	Coil, Computer-selected				
	— Rating @ Ground (min.)	3199 lbs. 3100 lbs.		3100 lbs.		
Springs, Rear	— Type	Multi-leaf, Single-stage				
	— Rating @ Ground (min.)	7310 lbs. 8500 lbs.				
Shock Absorbers	— Gas-type	35 mm				
Stabilizer Bar	— Front/Rear—Diameter	Front — 25.4 mm (SRW)/23 mm (DRW); Rear — 28.6 mm (DRW)				
TIRES:	— Type	Four, Truck-type Steel-belted Radial, All-season (Six with DRW)				
	— Size	LT245/ 75Rx16E		LT225/ 75Rx16E		
WHEELS:	— Type & Size	Four, 8-hole Disc, 16" x 7.0" K Steel (Six, 16" x 6.0" K with DRW)				

(1) Available on School Bus Body Builder Prep Package only.

(2) Rated current (@ 6000 rpm) per ISO 8854: 1988 (E) and SAE J56 JUN1999. Actual output is temperature and application dependent.

(3) Also includes 7.5-gallon plastic transit fuel tank (may be deleted), Auxiliary Fuel Port and Fuel System Conversion Kit.

NOTE: Please see the Major Product Summary pages and/or the Dealer Ordering Guide for availability.

2015

E-Series Cutaway/ Stripped Chassis Standard Powertrain/Chassis Equipment Specifications cont'd

E-350 Commercial Stripped Chassis

REAR WHEELS:		DRW	DRW	DRW	DRW	DRW
WHEELBASE (in.):		138	158	176	158	176
POWERTRAIN:						
Engine	— Application	Refer to Order Guide				
	— Type	5.4L SEFI V8				
Transmission	— Type	5-speed Auto OD (TorqShift®)				
AXLES:						
Front Axle	— Type	Twin I-beam IFS				
	— Capacity (Rating @ Ground)	5000 lbs.				
Rear Axle	— Type	Full-floating, Dana 10.5"				
	— Capacity (Rating @ Ground)	6340 lbs.	8500 lbs.	7800 lbs.		
BRAKES:						
Front Disc	— Type	Dual Piston Caliper (2.36" Diameter Piston)				
	— Size (in.)	13.58 Diameter Rotor				
Rear Disc	— Type	Dual Piston Caliper (1.89" Diameter Piston)				
	— Size (in.)	13.58 Diameter Rotor				
Power-Assist Unit	— Boost Ratio	Hydro-Boost 6.76:1 (DRW)				
	— Effective Diameter	13.46"				
Anti-Lock System		4-wheel				
Parking Brake	— Rear brake drum-in-hat	Foot-operated, Push to Apply/Pull Release Lever to Disengage				
ELECTRICAL:						
Alternator	— Rating	6G135 — 120-amperes, 1620-watts ⁽¹⁾ SC2 — 155-amperes, 2090-watts ⁽¹⁾ — available SC6 — 225-amperes, 3035-watts ⁽¹⁾ — available				
Battery	— Type	Maintenance-free				
	— Rating	72-amp.-hr., 650-CCA				
Kit	—	Modified Vehicle Wiring				
FUEL TANK:	— Capacity	40-gallon Aft-of-rear-axle				
STEERING:	— Type	Gear Assembly Power Steering				
	— Ratio	17.0:1				
SUSPENSION:						
Frame	— Type	Single-channel, 6 Crossmembers, 36,000 psi Steel				
	— Section Modulus	5.73 cu. in.				
Springs, Front	— Type	Coil, Computer-selected				
	— Rating @ Ground (min.)	3100 lbs.	3550 lbs.	3800 lbs.	4050 lbs.	
Springs, Rear	— Type	Multi-leaf, Single-stage				
	— Rating @ Ground (min.)	8500 lbs. (DRW)				
Shock Absorbers	— Gas-type	35 mm				
Stabilizer Bar	— Front — Diameter	23 mm (DRW)				
	— Rear — Diameter	28.6 mm (DRW)				
TIRES:	— Type	Truck-type Steel-belted Radial, All-season				
	— Size	Six, LT225/75Rx16E ⁽²⁾				
	— Spare tire carrier	None				
WHEELS:	— Type & Size	Six, 8-hole Disc, 16" x 6.0" K Steel ⁽²⁾				

(1) Rated current (@ 6000 rpm) per ISO 8854: 1988 (E) and SAE J56 JUN1999. Actual output is temperature and application dependent.

(2) Spare tire and wheel are shipped temporarily mounted to the top of the frame.

NOTE: Please see the Major Product Summary pages and/or the Dealer Ordering Guide for availability.

E-Series Cutaway/ Stripped Chassis

Standard Powertrain/Chassis Equipment Specifications cont'd

2015

E-450 Cutaway

REAR WHEELS:		DRW	DRW
WHEELBASE (in.):		158	176
POWERTRAIN:			
Engine	— Application	Refer to Order Guide	
	— Type	5.4L SEFI V8	
Transmission	— Type	5-speed Auto OD (TorqShift®)	
AXLES:			
Front Axle	— Type	Twin I-beam IFS	
	— Capacity (Rating @ Ground)	4600 lbs.	
Rear Axle	— Type	Full-floating, Dana 10.75" HD	
	— Capacity (Rating @ Ground)	9600 lbs.	
BRAKES:			
Front Disc	— Type	Dual Piston Caliper (2.36" Diameter Piston)	
	— Size (in.)	13.58 Diameter Rotor	
Rear Disc	— Type	Dual Piston Caliper (2.12" Diameter Piston)	
	— Size (in.)	13.58 Diameter Rotor	
Power-Assist Unit	— Boost Ratio	Hydro-Boost, 6.76:1	
Anti-Lock System		4-wheel	
Parking Brake	— Rear brake drum-in-hat	Foot-operated, Push to Apply/Pull Release Lever to Disengage	
ELECTRICAL:			
Alternator	— Rating	6G135 — 120-amperes, 1620-watts ⁽¹⁾ SC2 — 155-amperes, 2090-watts ⁽¹⁾ — available SC6 — 225-amperes, 3035-watts ⁽¹⁾ — available	
Battery	— Type	Maintenance-free	
	— Rating	72-amp.-hr., 650-CCA	
Kit		Modified Vehicle Wiring	
FUEL TANK:	— Capacity ⁽²⁾	55-gallon, Aft-of-rear-axle	
STEERING:	— Type	Gear Assembly Power Steering	
	— Ratio	17.0:1	
SUSPENSION:			
Frame	— Type	Single-channel, 6 Crossmembers, 36,000 psi Steel	
	— Section Modulus	6.40 cu. in.	
Springs, Front	— Type	Coil	
	— Rating @ Ground (min.)	4600 lbs.	
Springs, Rear	— Type	Multi-leaf, Single-stage	
	— Rating @ Ground (min.)	9600 lbs.	
Shock Absorbers	— Gas-type	35 mm	
Stabilizer Bar	— Front — Diameter	23 mm	
	— Rear — Diameter (DRW only)	28.6 mm	
TIRES:	— Type	Six Truck-type Steel-belted Radial, All-season	
	— Size	LT225/75Rx16E	
WHEELS:	— Type & Size	Six, 8-hole Disc, 16" x 6.0" K Steel	

(1) Rated current (@ 6000 rpm) per ISO 8854: 1988 (E) and SAE J56 JUN1999. Actual output is temperature and application dependent.

(2) Also includes 7.5-gallon plastic transit fuel tank (may be deleted), Auxiliary Fuel Port and Fuel System Conversion Kit.

NOTE: Please see the Major Product Summary pages and/or the Dealer Ordering Guide for availability.

April 2015

esourcebook.dealerconnection.com

RE&T: 2015 Source Book

2015

E-Series Cutaway/ Stripped Chassis

Standard Powertrain/Chassis Equipment Specifications cont'd

E-450 Commercial Stripped Chassis

REAR WHEELS:	DRW	DRW
WHEELBASE (in.):	158	176
POWERTRAIN:		
Engine	— Application	Refer to Order Guide
	— Type	5.4L SEFI V8
Transmission	— Type	5-speed Auto OD (TorqShift®)
AXLES:		
Front Axle	— Type	Twin I-beam IFS
	— Capacity (Rating @ Ground)	5000 lbs.
Rear Axle	— Type	Full-floating, Dana 10.75" HD
	— Capacity (Rating @ Ground)	9600 lbs.
BRAKES:		
Front Disc	— Type	Dual Piston Caliper (2.36" Diameter Piston)
	— Size (in.)	13.58 Diameter Rotor
Rear Disc	— Type	Dual Piston Caliper (2.12" Diameter Piston)
	— Size (in.)	13.58 Diameter Rotor
Power-Assist Unit	— Type	Hydro-Boost
	— Boost Ratio	6.76:1
Anti-Lock System		4-wheel
Parking Brake	— Rear brake drum-in-hat	Foot-operated, Push to Apply/Pull Release Lever to Disengage
ELECTRICAL:		
Alternator	— Rating	6G135 — 120-amperes, 1620-watts ⁽¹⁾ SC2 — 155-amperes, 2090-watts ⁽¹⁾ — available SC6 — 225-amperes, 3035-watts ⁽¹⁾ — available
Battery	— Type	Maintenance-free
	— Rating	72-amp.-hr., 650-CCA
Kit	—	Modified Vehicle Wiring
FUEL TANK:	— Capacity	55-gallon
STEERING:	— Type	Gear Assembly Power Steering
	— Ratio	17.0:1
SUSPENSION:		
Frame	— Type	Single-channel, 6 Crossmembers, 36,000 psi Steel
	— Section Modulus	5.730 cu. in.
Springs, Front	— Type	Coil, Computer-selected
	— Rating @ Ground (min.)	5000 lbs.
Springs, Rear	— Type	Multi-leaf, Single-stage
	— Rating @ Ground (min.)	9600 lbs.
Shock Absorbers	— Gas-type	35 mm
Stabilizer Bar	— Front — Diameter	Front — 23 mm Rear — 28.6 mm
TIRES:	— Type	Truck-type Steel-belted Radial, All-season
	— Size	Seven, LT225/75R16E
	— Spare tire carrier	None
WHEELS:	— Type & Size	Six, 8-hole Disc, 16" x 6.0" K Steel ⁽²⁾

(1) Rated current (@ 6000 rpm) per ISO 8854:1988 (E) and SAE J56 JUN1999. Actual output is temperature and application dependent.

(2) Spare tire and wheel are shipped temporarily mounted to the top of the frame.

NOTE: Please see the Major Product Summary pages and/or the Dealer Ordering Guide for availability.

E-Series Cutaway/ Stripped Chassis Technical Specifications

2015

Axles

FRONT AXLE SPECIFICATIONS

Model/Series	E-350/E-450	
Max. Rating @ Ground (lbs.)	5000	
Type	Twin-I-beam Spindle with Ball Joints	
Axle	— Material	Nodular Cast Iron
	— Spring Centers (in.)	47.0
Radius Arms	— No.	2
	— Material	High-strength Low-alloy Steel
Ball Joint	Lubed-for-life Ball Joints	
Spindle	— Material	Nodular Cast Iron Body with Forged Steel Stem
Wheel Bearings	— Type	Tapered Roller

REAR AXLE SPECIFICATIONS

Model/Series	E-350	E-450
Make	Dana 10.5"	Dana 10.75" HD
Rating @ Ground (lbs.)	7800/8500	9600
Type	Full-floating	Full-floating
Driveline Attachment, Circular Flange	4.25"	4.75"
Housing	— Type	Cast Center
	— Cover Attachment	Bolted
Section	— Tube Diameter (in.)	3.50
	— Thickness (in.)	0.39/0.56
Lubricant Capacity (pt.)	6.6	9.6
Spring Centers (in.)	48.92	48.92
Wheel Bearings	— Type	Tapered Roller, 2 Opposed
Gears	— Type	Hypoid
	— Material	Alloy Steel
Ring Gear	— Pitch Diameter (in.)	10.50
	— Mounting	Over Hung
Differential	— Type	2-pinion ⁽¹⁾
	— L/S Type	Traction-Lok
Axle Shaft	— Spline — Minor Dia. (in.)	1.268
	— Spline — Major Dia. (in.)	1.375
	— Number of Splines	32
		35

(1) 4-pinion for limited-slip.

Brakes

HYDRAULIC BRAKE EQUIPMENT SPECIFICATIONS — FRONT/REAR

Type	Model/Series	Rotor Dia (in.)		Brake Lining Segment	Area (sq. in.)/ Width (in.)/ Thickness (in.)	Caliper Piston Dia. (in.)	Gross Lining Area per Axle (sq. in.)	Total Swept Area per Axle (sq. in.)
		OD	ID					
Disc	All (Front)	13.58	8.70	Outboard	7.16/2.34/0.489	2.36	47.8	341.6
				Inboard	—			
	E-450 (Rear)	13.58	9.88	Outboard	5.96/1.74/0.51	2.12	43.65	272.70
				Inboard	—			
	E-350 (Rear)	13.58	9.88	Outboard	6.65/2.33/0.346	1.89	39.50	272.70
				Inboard	5.31/2.03/0.413			

NOTE: Please see the Major Product Summary pages and/or the Dealer Ordering Guide for availability.

Brakes cont'd

BRAKE MASTER CYLINDER SPECIFICATIONS

Type	Model/Series	Bore Diameter (in.)
Dual System, Dash-mounted	E-350 SRW	1.3125
	E-350/E-450 DRW	1.375

POWER BRAKES VACUUM BOOSTER SPECIFICATIONS

Type	Model/Series	Ratio	Diaphragm Type
Bendix, Dash-mounted	E-350 (SRW)	7.5:1	Dual

POWER BRAKES HYDRAULIC BOOSTER SPECIFICATIONS

Type	Model/Series	Ratio
Hydro-Boost	E-350 (DRW)/E-450	6.76:1

Cooling Systems

COOLING SYSTEM SPECIFICATION

Engine	Cooling	Trans. Usage	Core Size (in.)				Rows of Tubes	Fins per Inch	Cooling System Capacity (approx. quarts)	Fan Specifications		
			Frontal Area (sq. in.)	Height	Width	Thick.				Type	No. of Blades	Blade Dia. (in.)
5.4L SEFI V8	All	Auto.	708	23.6	30.0	1	1	15.2	28.3	Plastic	10	19.4
6.8L SEFI V10	All	Auto.	708	23.6	30.0	1.4	1	16.5	30.4	Plastic	8	20.0

AUXILIARY AUTOMATIC TRANSMISSION OIL COOLER APPLICATIONS

Model/Series	Engine	Transmission	Standard No. of Plates	Air Conditioning No. of Plates	Trailer Towing No. of Plates
E-350/E-450	5.4L SEFI V8	TorqShift®	20 – 1/2" Ports	20 – 1/2" Ports	24 – 1/2" Ports
	6.8L SEFI V10	TorqShift	20 – 1/2" Ports	20 – 1/2" Ports	24 – 1/2" Ports

NOTE: Please see the Major Product Summary pages and/or the Dealer Ordering Guide for availability.

E-Series Cutaway/ Stripped Chassis

Technical Specifications cont'd

2015

Fuel System

FUEL SYSTEM DATA

Electronic Fuel Injection	5.4L SEFI V8 6.8L SEFI V10	Sequential Multiport Fuel Injection Sequential Multiport Fuel Injection
Fuel Pump	All Engines	Electric-in-Tank High Pressure
Fuel Filter	All Engines	In-line Large Capacity (One)
Air Cleaner	All Engines	Dry Element, Replaceable

Steering

STEERING SPECIFICATIONS

Model/Series	Wheelbase (in.)	Power Steering ⁽¹⁾		Turning Diameter (ft.) ⁽²⁾	
		Gear Ratio	Overall Ratio	Curb-to-Curb	Wall-to-Wall
E-350 SRW	138	17:1	21.2:1	48.6	50.0/50.0 ⁽³⁾
E-350 DRW	138	17:1	21.2:1	48.6	50.0/50.1 ⁽³⁾
E-350 SRW	158	17:1	21.2:1	54.8	56.2 ⁽³⁾
E-350 DRW/ E-450	158 176	17:1 17:1	21.2:1 21.2:1	54.8 60.3	56.2 ⁽³⁾ 61.8 ⁽³⁾

(1) 15-1/2" diameter steering wheel. Cutaway and Stripped Chassis models include HD Steering gear.

(2) Average of left and right turns with standard tires.

(3) Cutaway only.

Suspension

FRAME SPECIFICATIONS

Model/Series	Wheelbase (in.)	Maximum Side Rail Section (in.)	Section Modulus (cu. in.)	Yield Strength (psi)
E-350/E-450 Cutaway/Stripped Chassis	138, 158, 176	7.69 x 3.18 x 0.228	5.73	36,000
E-450 Cutaway	158, 176	7.69 x 3.18 x 0.248	6.40	36,000

SHOCK ABSORBER SPECIFICATIONS

Model/Series	Usage	Number	Front & Rear	Type
			Piston Diameter (mm)	
E-350/E-450	Standard	4	35 mm	Gas pressurized

NOTE: Please see the Major Product Summary pages and/or the Dealer Ordering Guide for availability.

April 2015

esourcebook.dealerconnection.com

RE&T: 2015 Source Book

E-Series Cutaway/
Stripped Chassis

Suspension cont'd

SPRING SPECIFICATIONS — FRONT COIL

Model/Series	GVWR (lbs.)	Combined Rating @ Ground (lbs.)	Normal Working Height of Spring (in.)	Wire Diameter (in.)	Deflection Rate @ Ground (lbs. per in. each)	Inside Diameter (in.)	Rating Each @ Pad (lbs. per spring)
E-350 Cutaway	10,050 (SRW), 11,500, 12,500	3800	12.0	0.72	328	4.0	2165
		3900	12.0	0.73	341	4.0	2224
		4050	12.0	0.74	354	4.0	2318
		4200	12.0	0.74	354	4.0	2414
		4400	12.0	0.76	366	4.0	2542
		4600	12.0	0.78	366	4.0	2670
		5000	12.0	0.79	418	4.0	2900
E-350 Stripped Chassis	11,500, 12,500	3800	12.0	0.72	328	4.0	2165
		3900	12.0	0.73	341	4.0	2229
		4050	12.0	0.74	354	4.0	2318
		4200	12.0	0.74	354	4.0	2414
		4400	12.0	0.76	366	4.0	2542
		4600	12.0	0.78	366	4.0	2670
		5000	12.0	0.79	418	4.0	2900
E-450 Cutaway/ Stripped Chassis	14,000 14,500	4600	12.0	0.78	366	4.0	2670
		5000	12.0	0.79	418	4.0	2900

SPRING SPECIFICATIONS — REAR MAIN LEAF

Model/Series	Combined Rating @ Ground (lbs.)	Number of Leaves	Total Thickness @ Pad (in.)	Length (in.)	Width (in.)	Deflection Rear (lbs. per in. per spring) ⁽¹⁾	Rating Each @ Pad (lbs. per spring)
E-350 Extended Cutaway	6195	4	1.99	55.0	3.00	373.0/699.0	2772
E-350 Cutaway/Stripped Chassis SRW	7310	9	3.59	55.0	3.00	924.7	3296
E-350 Cutaway/Stripped Chassis DRW	8500	9	3.79	58.5	3.00	1087	3790
E-450 Cutaway/Stripped Chassis	9600	11	4.66	58.5	3.00	1138	4288

(1) Dual numbers indicate two-stage spring.

E-Series Cutaway/ Stripped Chassis

Technical Specifications cont'd/ Special Applications

2015

Tires and Wheels

TIRE SPECIFICATIONS

Type/Size	Rim Width (in.)	Section Width (in.)	Ply Rating	Load Rating	Maximum Inflation Pressure (psi)	Load Limits @ Maximum Inflation Pressure (lbs.)	Static Loaded Radius (in.)	Revolutions per Mile @ 45 mph
LT225/75R16	6.0	9.60	10	E	80	2680	14.60	709
LT245/75R16	7.0	10.20	10	E	80	3042	14.10	677

WHEEL SPECIFICATIONS

Wheel Type	Wheel Size	Nominal Offset (mm.)	No. of Studs	Bolt Circle (in.)	Max Wheel Capacity Load (lbs. @ ground)
Steel	16" x 7.0" K	0.25	8	6.5	2300 Front/ 3045 Rear
	16" x 6.0" K (Dual)	5.15	8	6.5	2500 Front/ 2365 Rear
Aluminum	16" x 7.0" J	0.25	8	6.5	3045

Transmissions

AUTOMATIC TRANSMISSION SPECIFICATIONS

Make/Type	Ford 5-Speed Automatic Overdrive (TorqShift®)
Engine	5.4L SEFI V8/6.8L SEFI V10
Ratios (to 1)	
1st	3.11
2nd	2.11
3rd	1.55
4th — OD	1.00
5th — OD	0.71
Reverse	2.88
Converter Size & Type	12" PCM Controlled Clutch Apply
Converter Stall Ratio	—
Converter Torque Ratio @ WOT Stall	2.2 (5.4L), 1.86 (6.8L)
Lubricant Capacity (pt.)	18.2 (5.4L), 19.0 (6.8L)
Gear Set	Spur
Oil Cooler	Oil to Air and In-Tank

Special Applications

Trailer Towing Information

For additional towing information, refer to the RV & Trailer Towing Guide, available as a printable PDF on eSourceBook, or the vehicle owner manual.

Snowplow Information

Not recommended for Snowplow Applications.

NOTE: Please see the Major Product Summary pages and/or the Dealer Ordering Guide for availability.